

**Notes:**

Refer to Pavement Details for Concrete Box-out information.

Backfill for all structures within the limits of the pavement shall be Low Strength Mortar Backfill, TYPE 2 per current O.D.O.T. Construction and Material Specifications, except as modified herein.

The use of Foundry Sand is strictly prohibited.

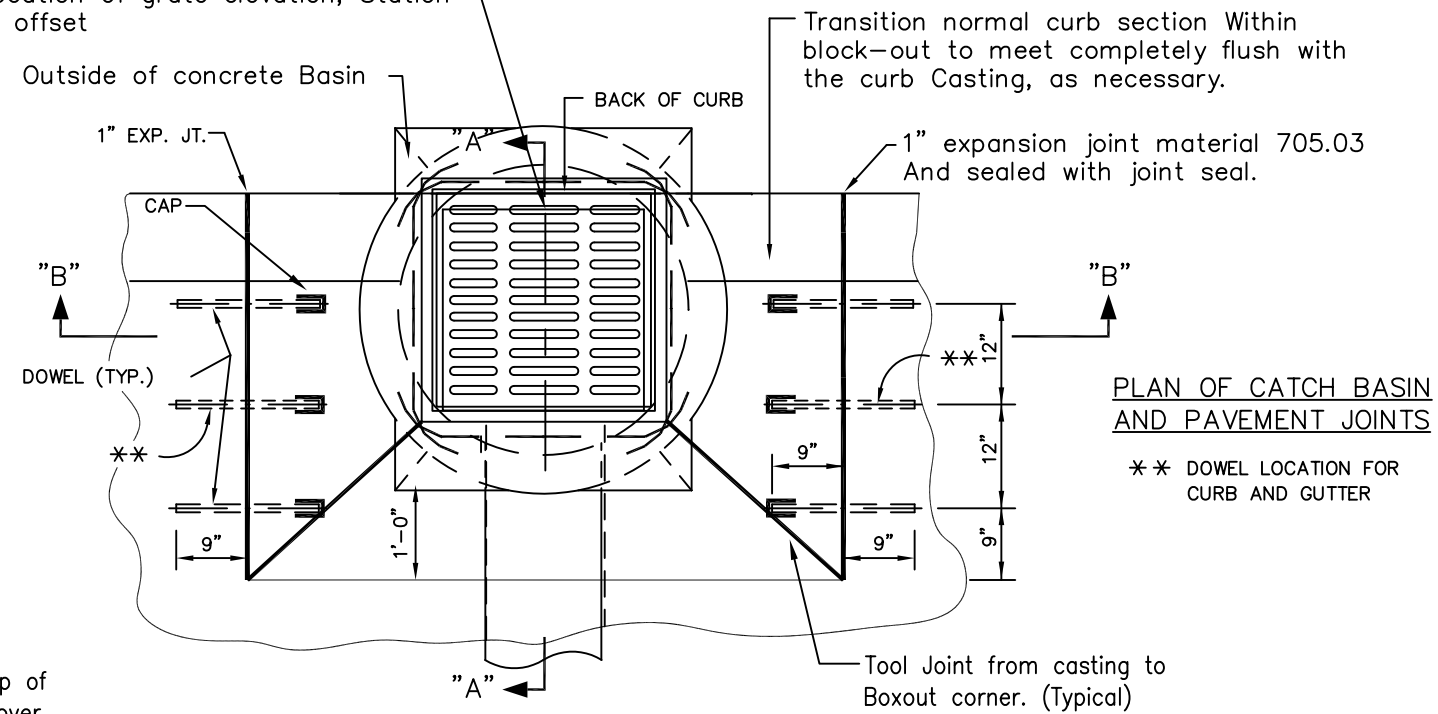
The contractor is required to submit a mix design, for City Approval, a minimum of 48 hours prior to the installation of the backfill.

**\*\*Note:\*\***

RESIDENTIAL PAVEMENT T = 7" (1"x 18" Long Dia. Dowel )

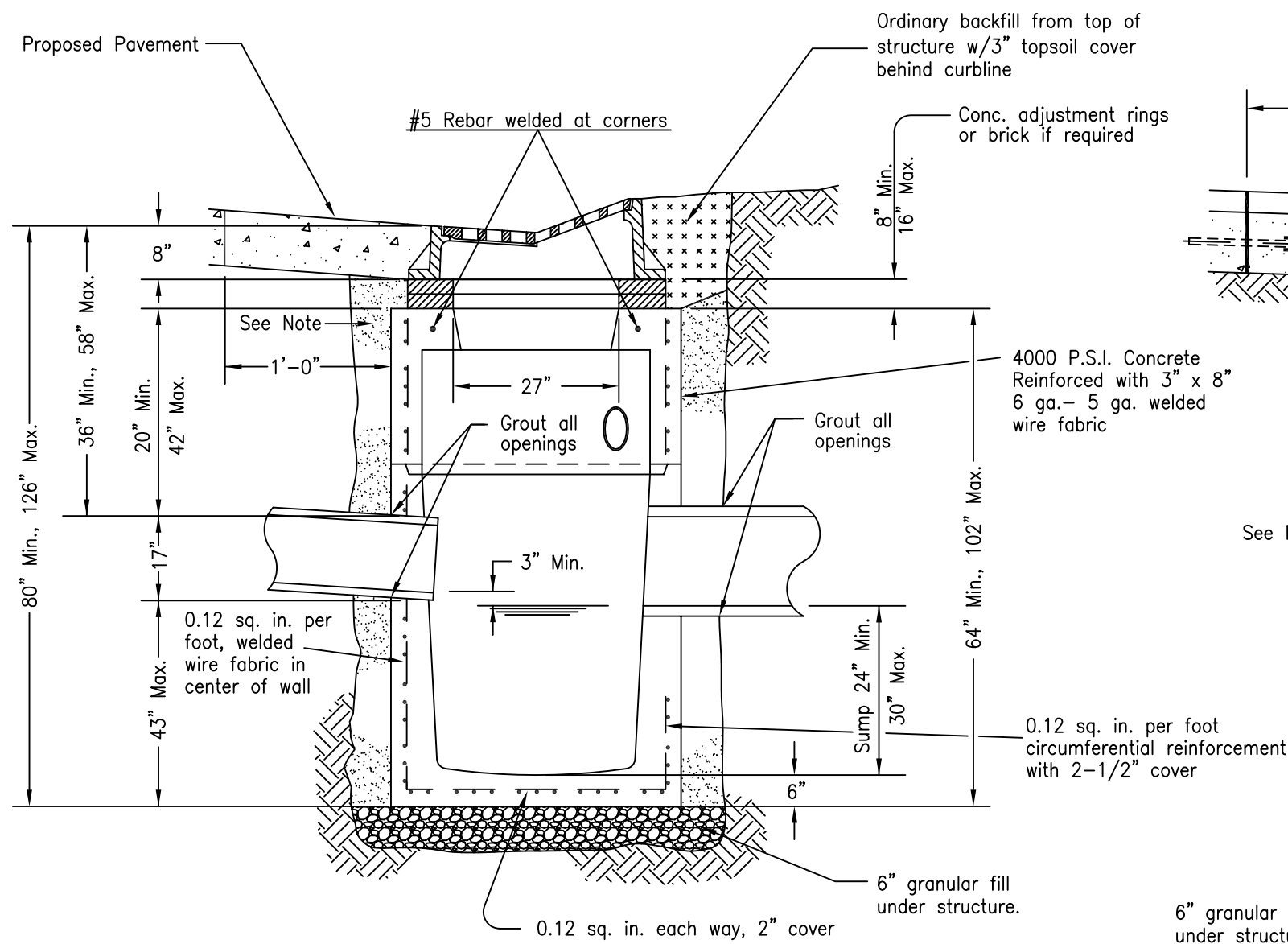
INDUSTRIAL PAVEMENT T = 9" (1¼"x 18" Long Dia. Dowel )

Location of grate elevation, Station & offset

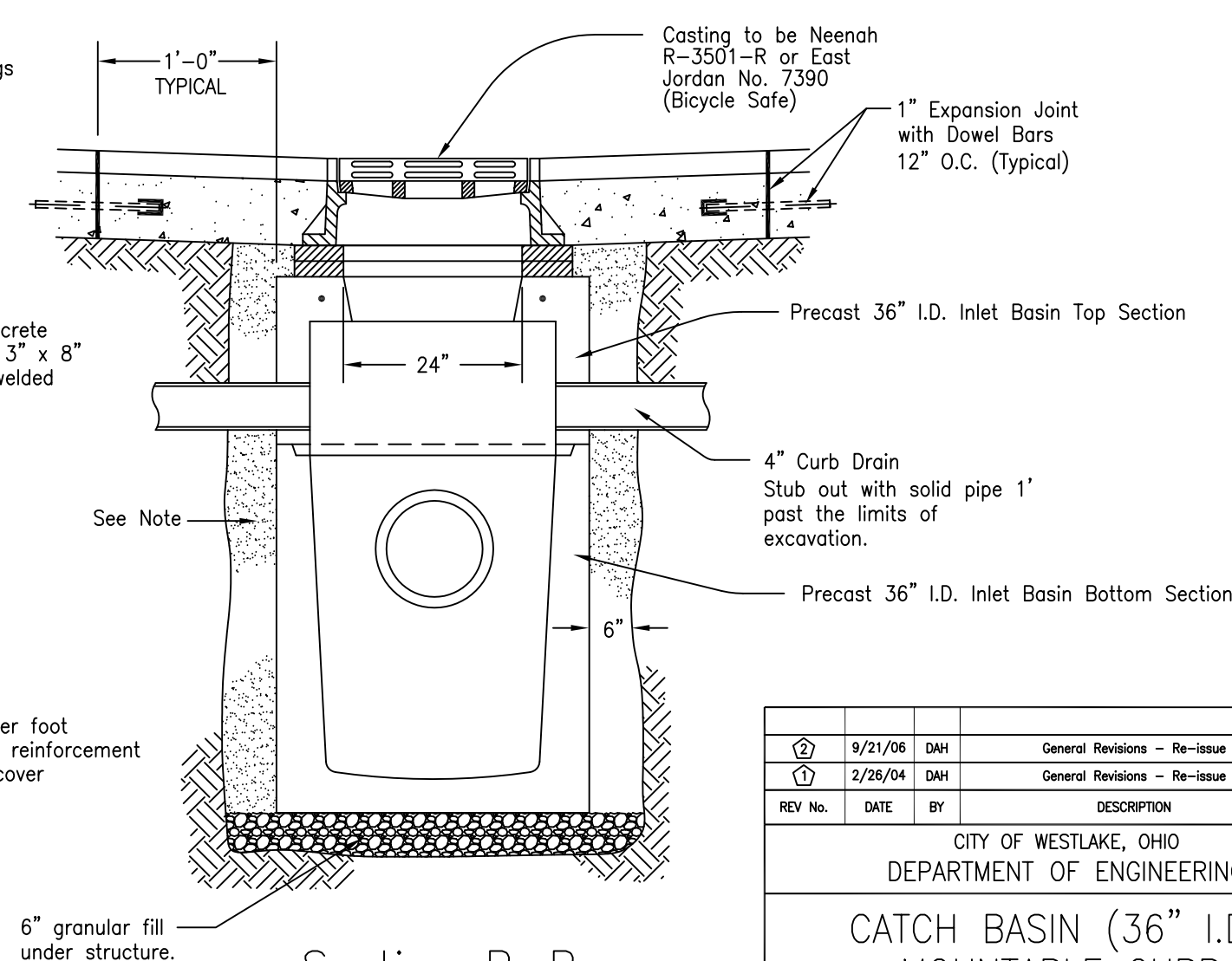


**PLAN OF CATCH BASIN AND PAVEMENT JOINTS**

\*\* DOWEL LOCATION FOR CURB AND GUTTER



**Section A-A**



**Section B-B**

REV No.	DATE	BY	DESCRIPTION
2	9/21/06	DAH	General Revisions - Re-issue
1	2/26/04	DAH	General Revisions - Re-issue

CITY OF WESTLAKE, OHIO  
DEPARTMENT OF ENGINEERING

**CATCH BASIN (36" I.D.)  
MOUNTABLE CURB**

SCALE: AS NOTED  
DATE: DRWN BY:

X:\dhytkema\land\_projects\_r2\Const\_Details\dwg\2004\_City\018\_DTL2004.dwg 9/21/2006