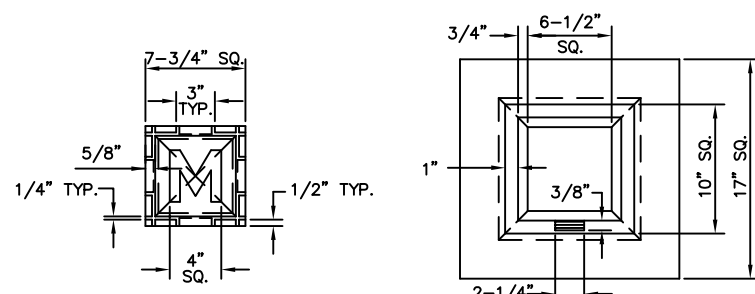
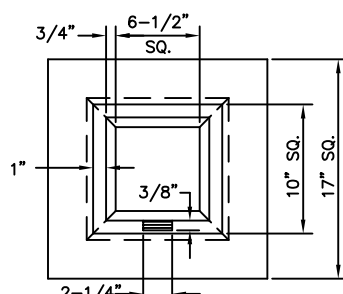


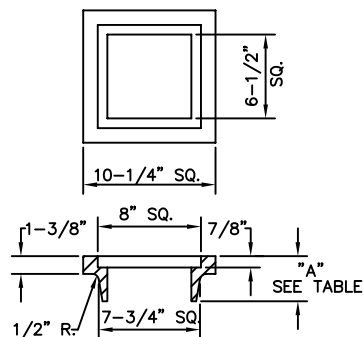
X:\hlykema\Land Projects R2\Const Details\dwg\2004 City\012b\_DTL2004.dwg 3/24/2008



PLAN OF COVER

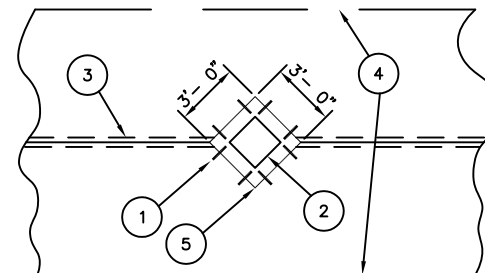


PLAN OF FRAME



ADJUSTING RING

ADJUSTMENT HEIGHT	DIMENSION "A"	MINIMUM WEIGHTS
1-1/2"	2-3/8"	20-LBS.
2-1/2"	3-3/8"	27-LBS.
3"	3-7/8"	30-LBS.
3-1/2"	4-3/8"	32-LBS.



- ① MONUMENT ASSEMBLY BLOCK OUT (3/4" DOWEL RODS 2' O.C.)
- ② MONUMENT BOX
- ③ TYPICAL LONGITUDINAL JOINT
- ④ 451 CONC. PAVEMENTS, A.P.P.
- ⑤ 1/4" x 1" GROOVE W/ JOINT FILLER

DETAIL "A"

TYPICAL BLOCK OUT IN RIGID PAVEMENT. (OMIT FOR FULL DEPTH FLEXIBLE PAVEMENT)

NOTES

CASTINGS SHALL MINIMALLY MEET THE REQUIREMENTS OF 604.02-711.12, A.S.T.M. A 48, CLASS 35 GRAY IRON OR 711.13 DUCTILE IRON. THE ASSEMBLY SHALL BE ESSENTIALLY THE SAME AND EQUALLY AS STRONG AS THOSE HEREON.

MINIMUM WEIGHTS:

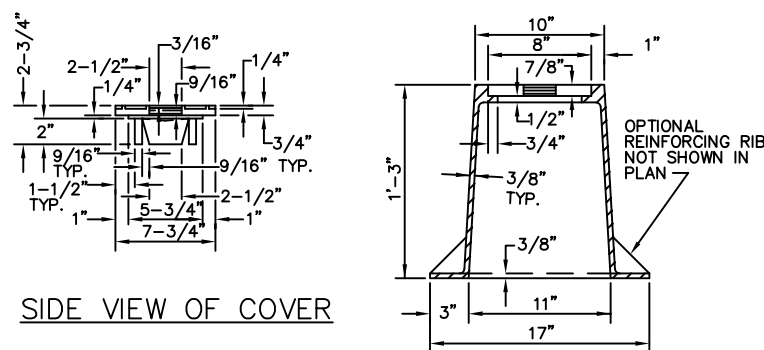
FRAME 94 LBS.  
COVER 16 LBS.  
PROVIDED THEY COMPLY WITH THE SPECIFICATIONS, DETAILS, DIMENSIONS AND MINIMUM WEIGHTS, NEENAH NO.NF-0000T04, EAST JORDAN NO.8365 OR APPROVED EQUAL CASTINGS ARE ACCEPTABLE.

BEARING AREAS SHALL BE FINISHED AS TO PROVIDE A FIRM AND EVEN SEAT. NO PROJECTION SHALL EXIST ON THE BEARING AREAS AND THE COVER SHALL SEAT IN ITS FRAME WITHOUT ROCKING.

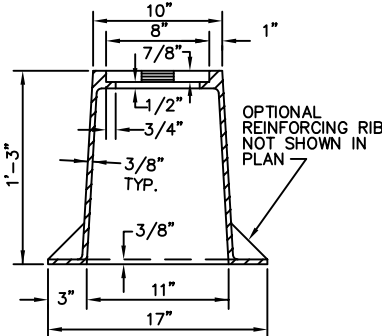
PRIOR TO CONSTRUCTION OF PAVEMENT, THE FRAME SHALL BE SET TO GRADE IN SUCH A MANNER THAT WILL PREVENT ANY PAVEMENT MATERIAL FROM ENTERING THE CASTING.

MONUMENT CAPS WILL BE FURNISHED BY THE CLEVELAND REGIONAL GEODETIC SURVEY (C.R.G.S.) OFFICE. CONTACT CUYAHOGA COUNTY ENGINEER'S SURVEY OFFICE TWO (2) WORKING DAYS BEFORE CONSTRUCTING.

ALL MONUMENTS ARE TO BE SET AND CAPPED UNDER THE DIRECTION OF A REGISTERED SURVEYOR. (REF. O.A.C. 4733-37-03)

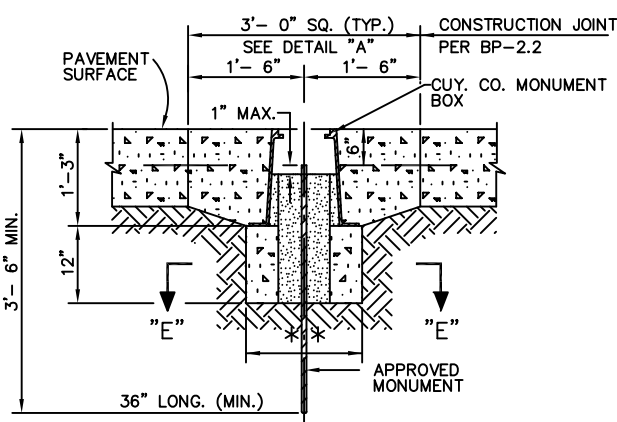


SIDE VIEW OF COVER



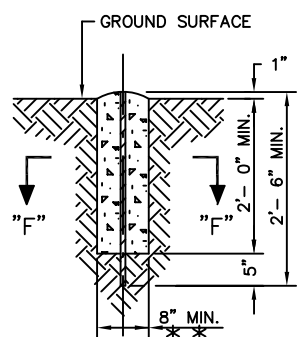
SECTION OF FRAME

MONUMENT BOX



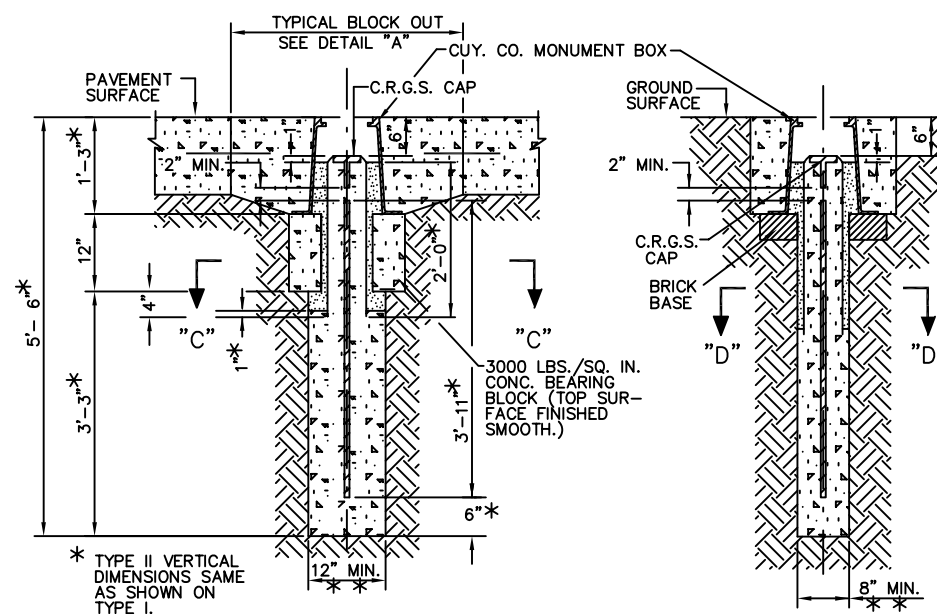
SECTION "E- E"

ROADWAY MONUMENT ASSEMBLY



SECTION "F- F"

RIGHT OF WAY MONUMENT



SECTION "C- C" TYPE I

CLEVELAND REGIONAL GEODETIC SURVEY MONUMENT ASSEMBLY

SECTION "D- D" TYPE II IN SOIL

LEGEND

- ITEM 499- CONCRETE, CLASS "C"
- SAND, ITEM 703.02- COMPACTED AS REQUIRED

\*\* UNDISTURBED BEARING AND/OR SUITABLY FIRM FOUNDATION PROVIDED IN ACCORDANCE WITH 604.04 AND TO THE SATISFACTION OF THE ENGINEER.

REV No.	DATE	BY	DESCRIPTION
CITY OF WESTLAKE, OHIO DEPARTMENT OF ENGINEERING			
MONUMENT BOX & ASSEMBLIES			
SCALE: AS NOTED			12b
DATE:		DRWN BY:	