

Notes:

Refer to Pavement Details for Concrete Box-out information.

Backfill for all structures within the limits of the pavement shall be Low Strength Mortar Backfill, TYPE 2 per current O.D.O.T. Construction and Material Specifications, except as modified herein.

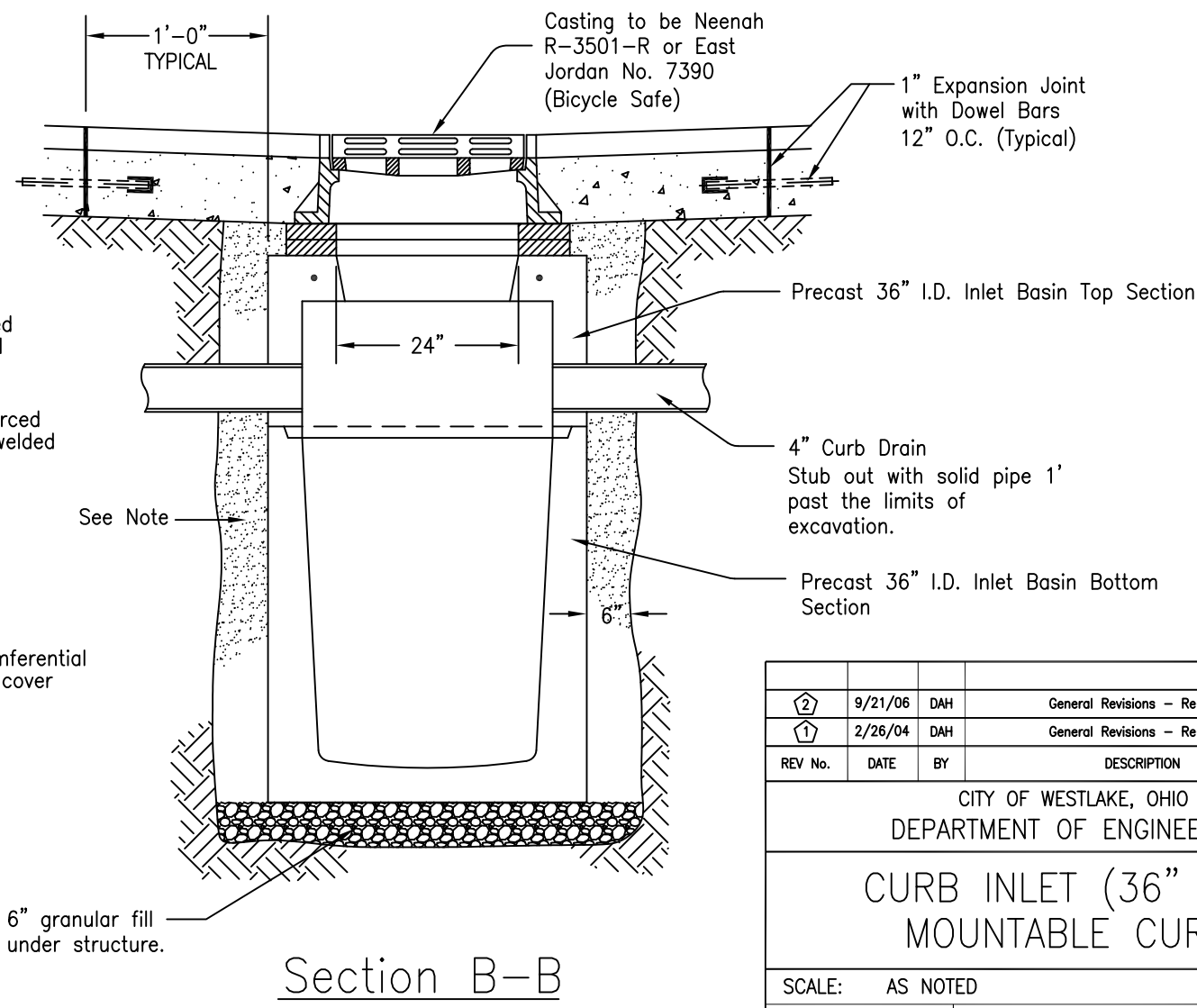
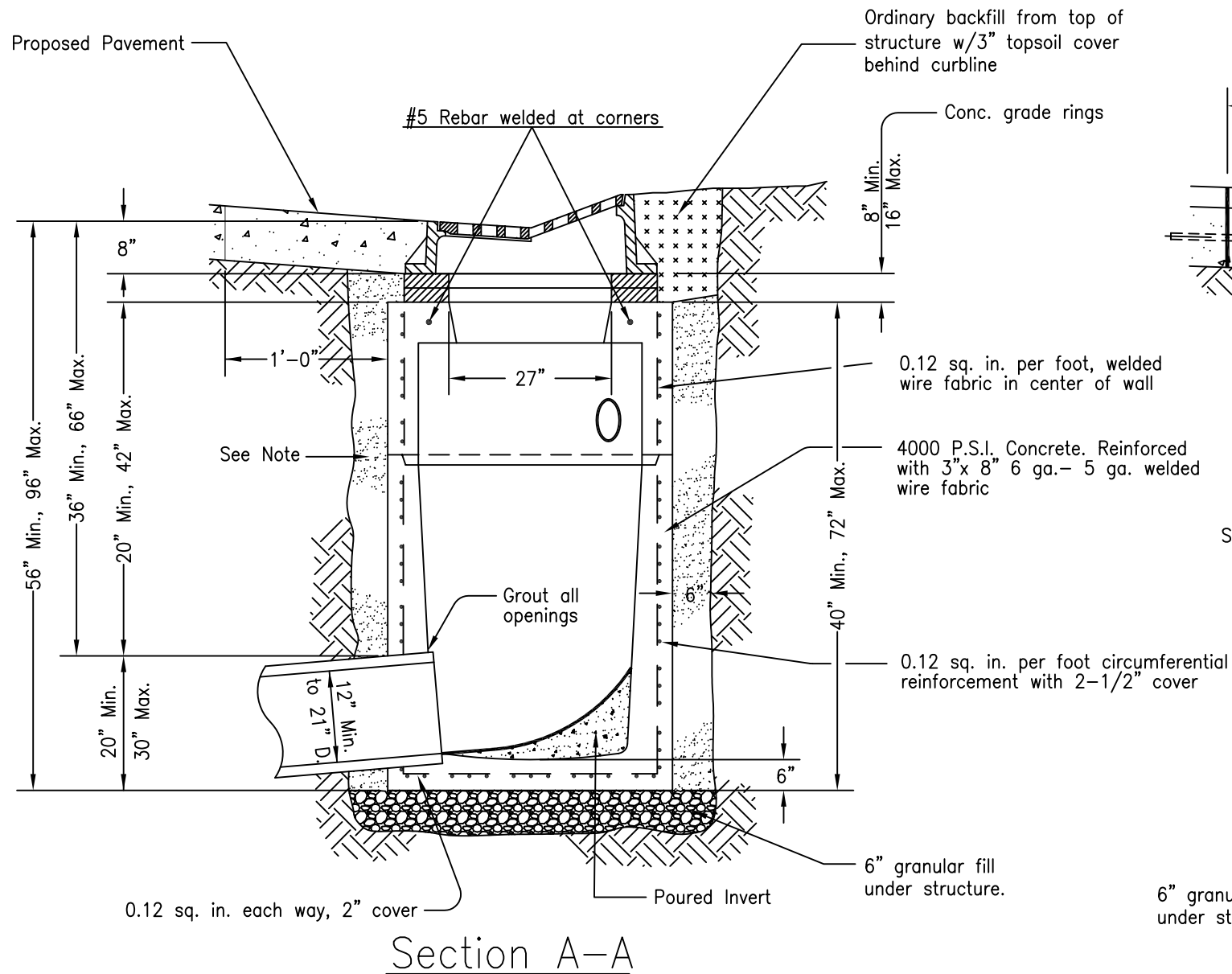
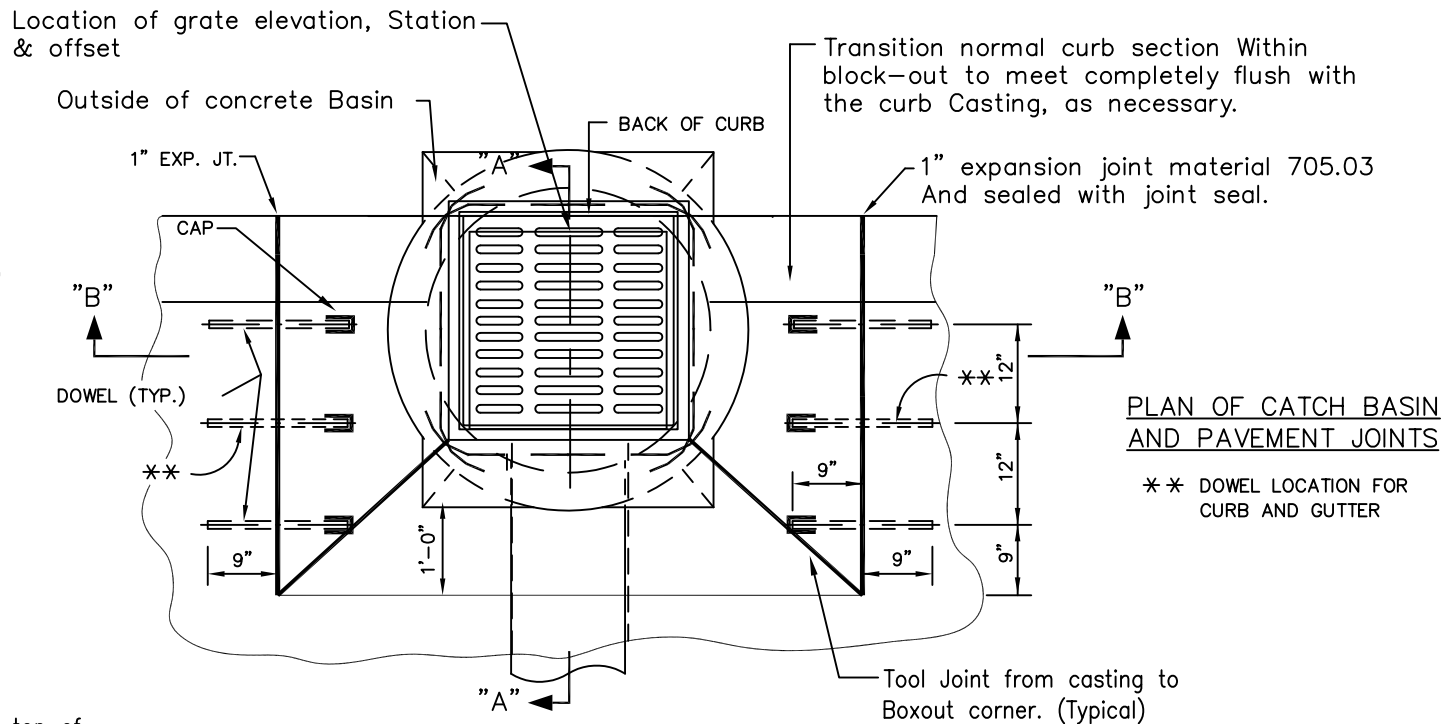
The use of Foundry Sand is strictly prohibited.

The contractor is required to submit a mix design, for City Approval, a minimum of 48 hours prior to the installation of the backfill.

****Note:****

RESIDENTIAL PAVEMENT T = 7" (1"x 18" Long Dia. Dowel)

INDUSTRIAL PAVEMENT T = 9" (1¼"x 18" Long Dia. Dowel)



REV No.	DATE	BY	DESCRIPTION
2	9/21/06	DAH	General Revisions - Re-issue
1	2/26/04	DAH	General Revisions - Re-issue

CITY OF WESTLAKE, OHIO
DEPARTMENT OF ENGINEERING

**CURB INLET (36" I.D.)
MOUNTABLE CURB**

SCALE: AS NOTED

DATE: DRWN BY: