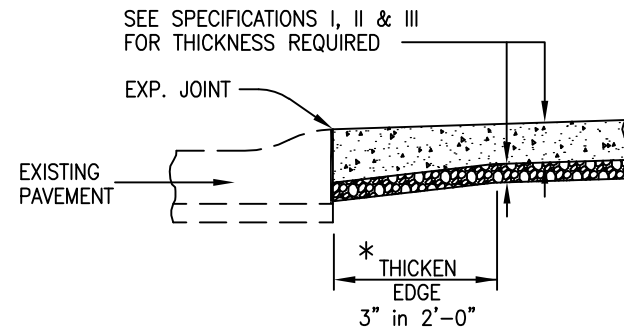
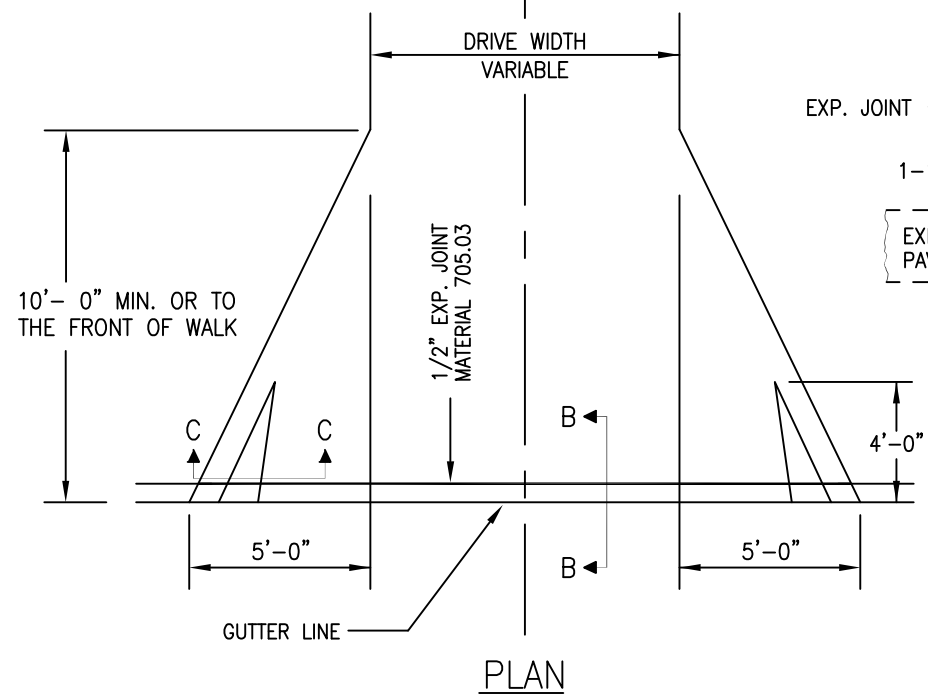
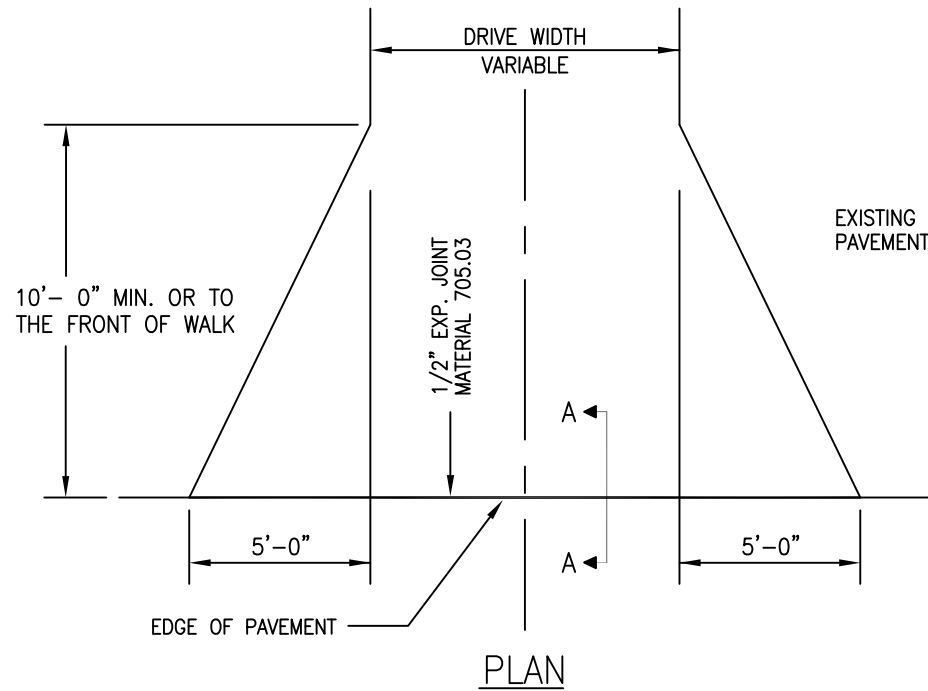
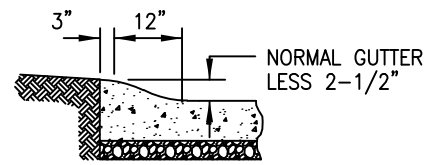


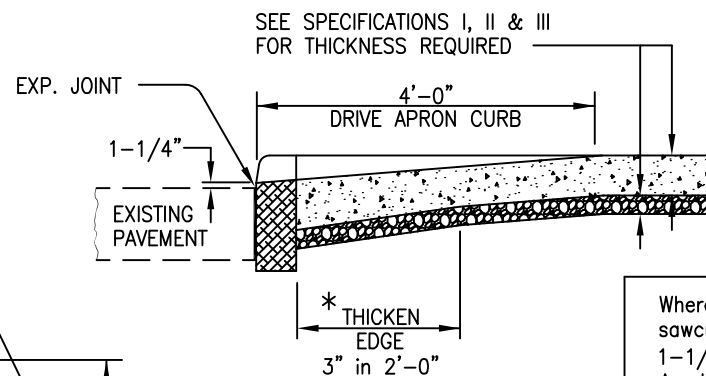
CONCRETE APRON



SECTION A-A



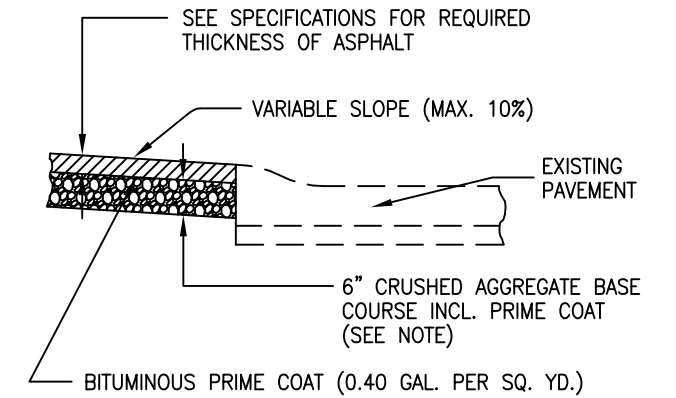
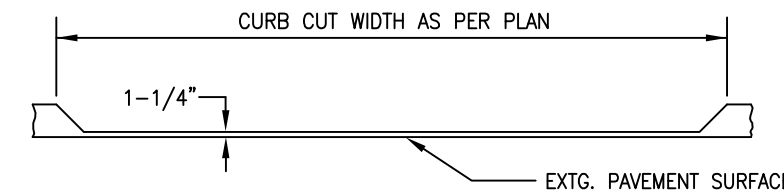
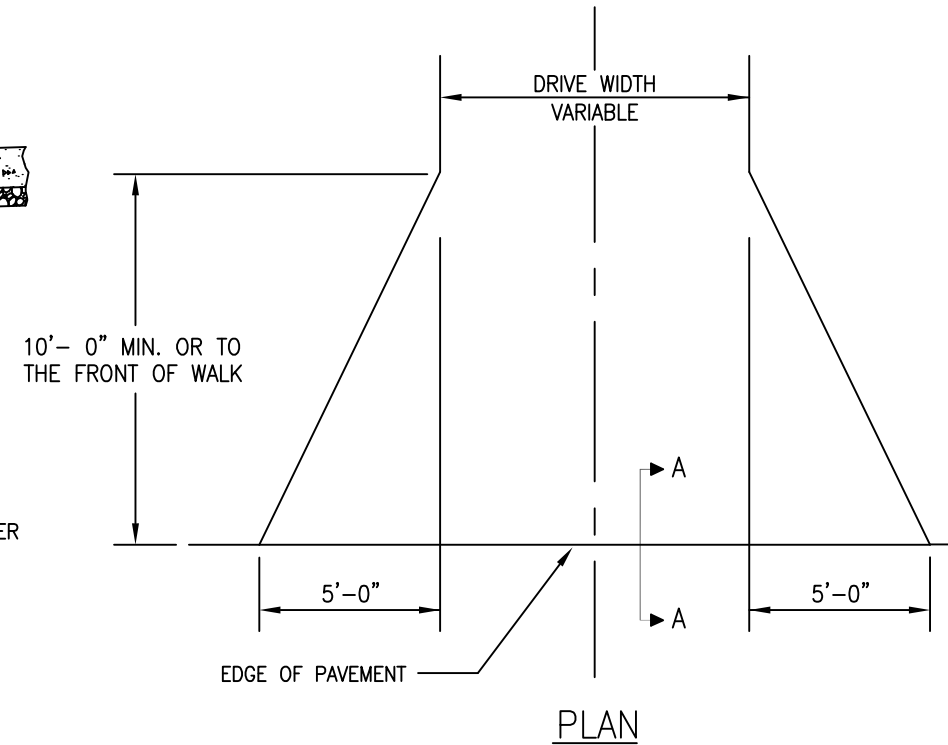
SECTION C-C



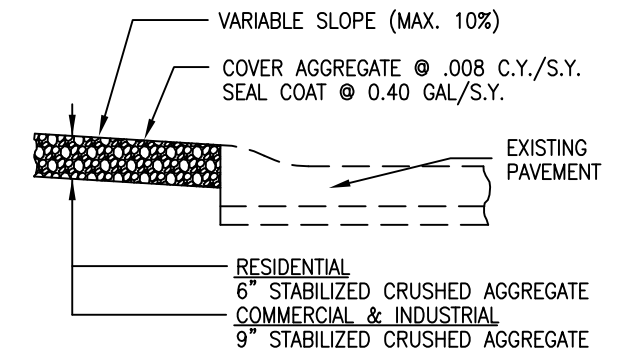
SECTION B-B

Where curbing exists Contractor shall sawcut and remove existing curbing to 1-1/4" above existing gutter elevation, As directed by the Engineer.

ASPHALT & AGGREGATE APRONS



SECTION C-C
ASPHALT DRIVE



SECTION A-A
AGGREGATE APRON (REPAIR ONLY)

NOTES

FOR ASPHALT AND AGGREGATE DRIVES, THE PLAN VIEW SHOWN, SHALL BE USED. SHAPE DRIVE TO PROVIDE FOR PROPER DRAINAGE.

GUTTERS & SIDEWALK JOINTS (IF PERTINENT) SHALL BE SEALED WITH ASPHALT CEMENT AS DIRECTED BY THE ENGINEER. THE MATERIAL SHALL BE APPLIED AT A UNIFORM WIDTH OF APPROXIMATELY FOUR INCHES (4") AND AT A RATE SUFFICIENT TO FILL ANY EXISTING JOINTS.

ALL BASE MATERIAL TO BE COMPACTED BY USE OF MECHANICAL TAMPER OR OTHER APPROVED COMPACTOR IN LAYERS NOT TO EXCEED THREE INCHES (3").

THE MAXIMUM COMPACTED DEPTH OF ANY ONE LAYER OF ASPHALT CONCRETE SHALL NOT EXCEED THREE INCHES (3").

FOR MATERIAL & CONSTRUCTION SPECIFICATIONS REFER TO STATE OF OHIO DEPARTMENT OF TRANSPORTATION SPECIFICATIONS SECTION 400 FLEXIBLE PAVEMENT.

NOTES

DRIVE APRON CURB SECTION TO BE PLACED WHERE DIRECTED BY THE ENGINEER.

FORM DRIVE APRON, SECTION "C-C" BEHIND CURB LINE AND TAPER OUT UNIFORMLY TO NO CURB 4'-0" BEHIND GUTTER LINE AS SHOWN.

WHERE DRIVE ABUTS NEW OR EXISTING CONCRETE SIDEWALK 1/2" EXPANSION JOINT MATERIAL 705.03 SHALL BE PROVIDED.

* THICKENED EDGE REQUIRED FOR INDUSTRIAL APRONS ONLY.

CONCRETE = CLASS "C" WITH 6"x 6" - #10-#10 GAUGE WIRE MESH.

CONCRETE SPECIFICATIONS

- I RESIDENTIAL
6" REINFORCED PORTLAND CEMENT CONCRETE WITH 2" SCREENINGS OR AS SPECIFIED INSULATION COURSE.
 - II COMMERCIAL
7" REINFORCED PORTLAND CEMENT CONCRETE WITH 3" SCREENINGS OR AS SPECIFIED INSULATION COURSE.
 - III INDUSTRIAL
8" REINFORCED PORTLAND CEMENT CONCRETE WITH 3" SCREENINGS OR AS SPECIFIED INSULATION COURSE.
- SEE SECTION "A-A" & "B-B" FOR THICKENED CONCRETE EDGE.

ASPHALT SPECIFICATIONS

- RESIDENTIAL
3" ASPHALT CONCRETE WEARING COURSE
- COMMERCIAL
5" ASPHALT CONCRETE WEARING COURSE
- INDUSTRIAL
6" ASPHALT CONCRETE WEARING COURSE

1	6/9/04	DAH	General Revisions - Re-issued
REV No.	DATE	BY	DESCRIPTION
CITY OF WESTLAKE, OHIO DEPARTMENT OF ENGINEERING			
DRIVE APRON DETAILS			
SCALE:	AS NOTED		26
DATE:	DRWN BY:		