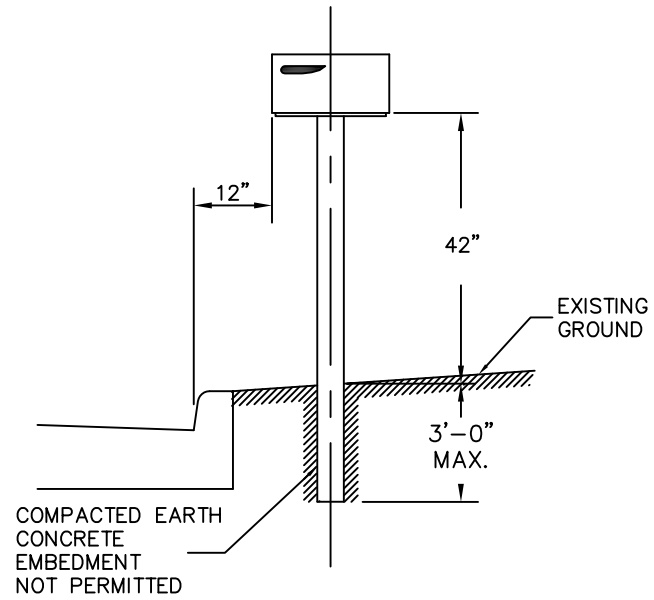
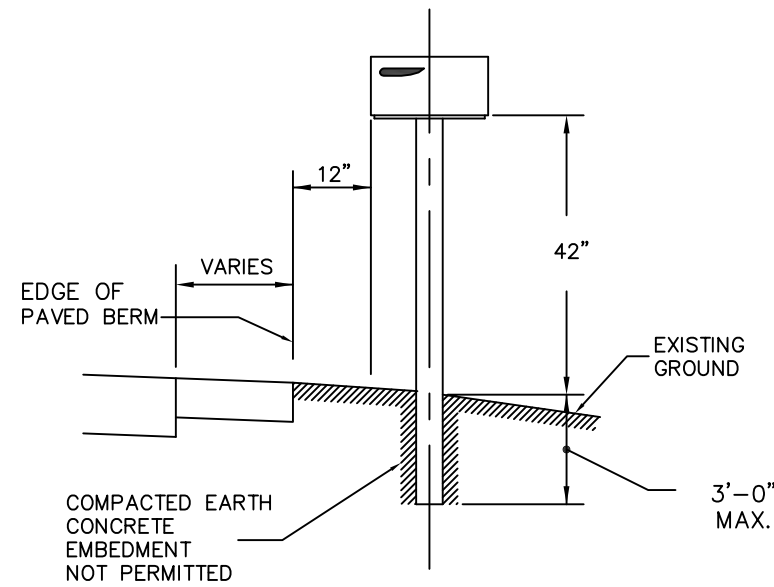


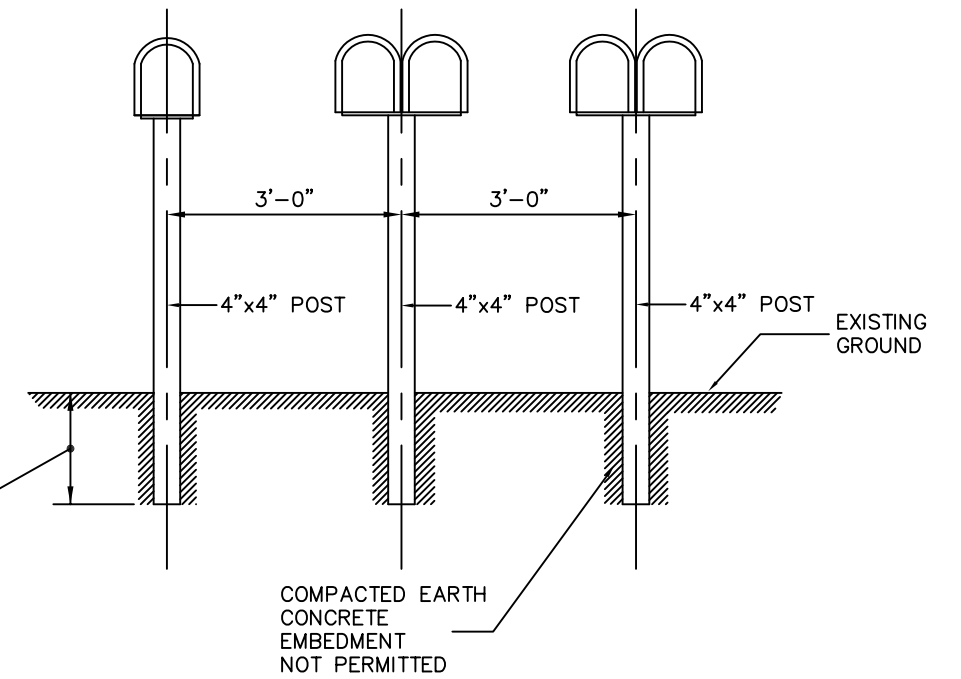
X:\dhylkema\Land Projects R2\Const Details\dwg\2004 City\033_DTL2004.dwg



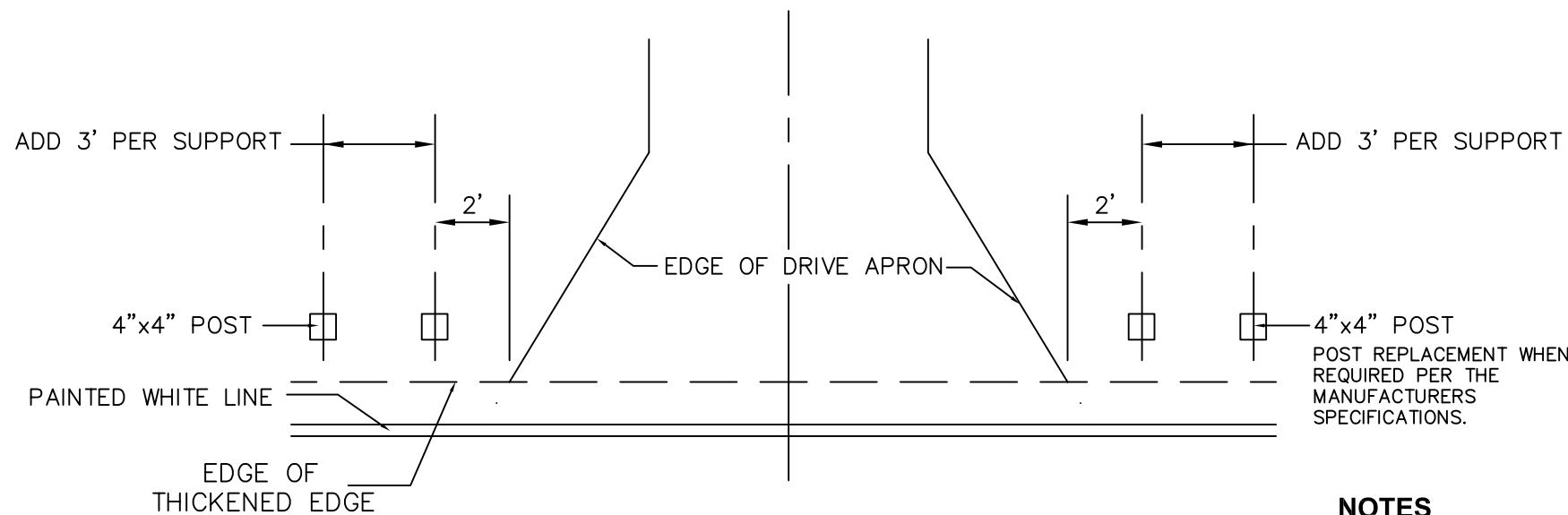
MAILBOX INSTALLATION DETAILS
CURBED PAVEMENT



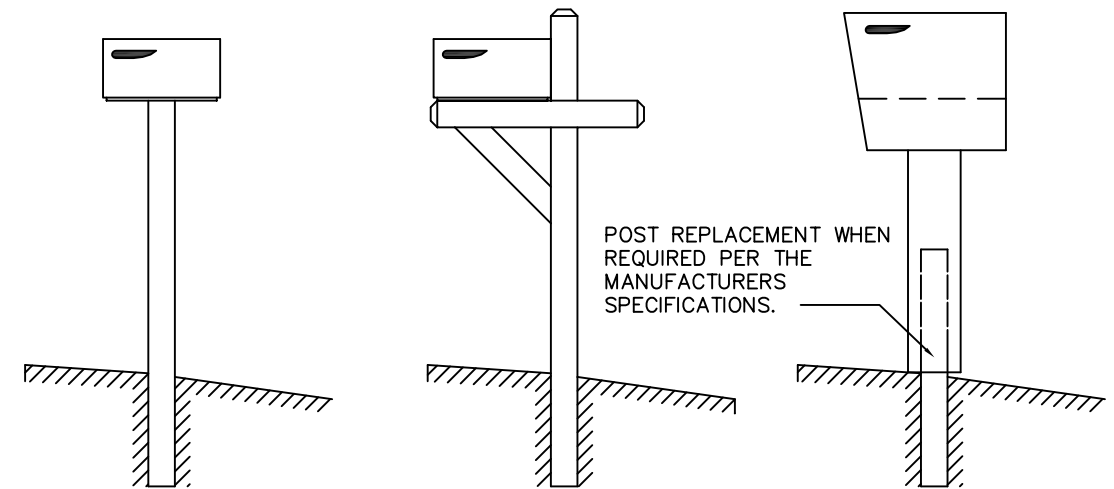
MAILBOX INSTALLATION DETAILS
PAVED SHOULDERS



GROUP MAILBOX INSTALLATION



MAILBOX INSTALLATION DETAILS
DRIVEWAY LOCATIONS



ACCEPTED MAILBOXES
AND POSTS

NOTES

- 1) ALL MAILBOX REPLACEMENT TO BE COORDINATED WITH THE HOMEOWNER.
- 2) STANDARD REPLACEMENT MAILBOX TO BE RUBBERMAID STEP 2 / MAILMASTER PLUS MODEL #5452, OR APPROVED EQUAL.
- 3) COLOR TO BE DETERMINED BY THE HOMEOWNER.
- 4) SPECIALTY DESIGN MAILBOXES ARE TO BE REPLACED IN KIND AND COORDINATED WITH THE HOMEOWNERS APPROVAL OF THE COMPLETED PRODUCT. CONTRACTOR IS RESPONSIBLE FOR DAMAGES TO EXISTING MAILBOX.

REV No.	DATE	BY	DESCRIPTION
CITY OF WESTLAKE, OHIO DEPARTMENT OF ENGINEERING			
MAILBOX DETAILS			
SCALE: NTS			33
DATE: 02/02/08		DRWN BY:	