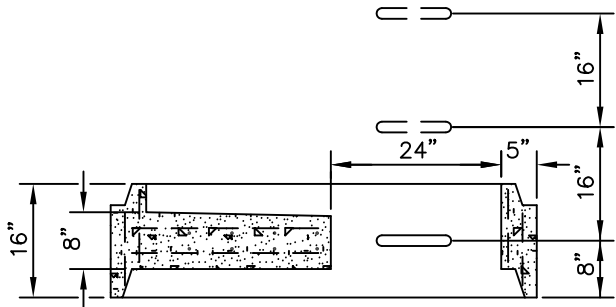


SECTION "A-A"

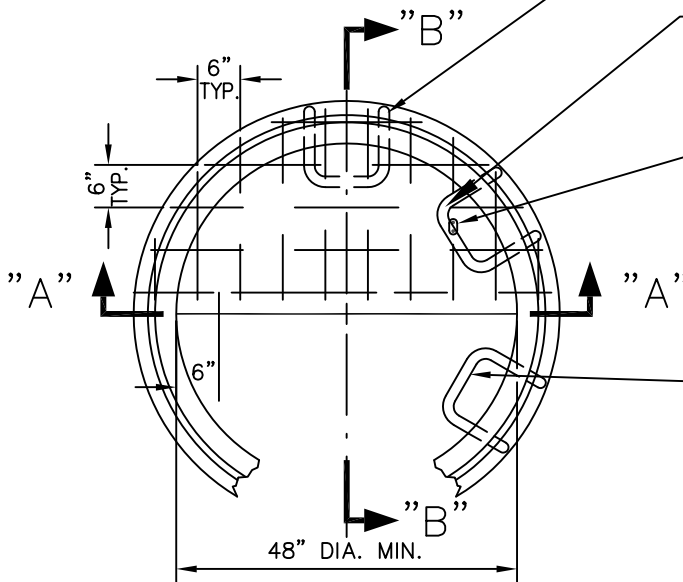


SECTION "B-B"

NOTE:

LANDING PLATFORMS AS SHOWN ON THE LANDING DETAILS SHALL BE INSTALLED IN MANHOLES THAT ARE OVER TWENTY-EIGHT (28) FEET DEEP TO THE INVERT WITH A MAXIMUM VERTICAL SPACING OF TWENTY (20) FEET.

MANHOLE STEPS START 12" TO 16" ABOVE LANDING PLATFORM FLOOR AND CONTINUE VERTICALLY ABOVE TO THE NEXT LANDING PLATFORM OR TOP OUTLET. STEPS SHALL BE REINFORCED POLYPROPYLENE 12" WIDTH.



PLAN VIEW

1-1/2" DIA SOLID STEEL BAR GRAB RAIL 5'-0" ABOVE PLATFORM.

TYPICAL BAR PLACEMENT IN LANDING RISER-#4 REBAR.

IF MULTIPLE LANDINGS ARE REQUIRED, ROTATE ADJACENT LANDINGS 90 DEGREES. A 90 DEGREE CLEAR OPENING MUST BE SEEN FROM TOP TO BOTTOM OF MANHOLE.

MANHOLE STEPS STOP 5'-0" ABOVE TOP OF LANDING PLATFORM. STEPS SHALL BE REINFORCED POLYPROPYLENE 12" WIDTH.

1	4/19/03	DAH	General Revisions - Re-issue
REV No.	DATE	BY	DESCRIPTION
CITY OF WESTLAKE, OHIO DEPARTMENT OF ENGINEERING			
DETAIL 16" LANDING PLATFORM			
SCALE: AS NOTED			
DATE:		DRWN BY:	
			4a