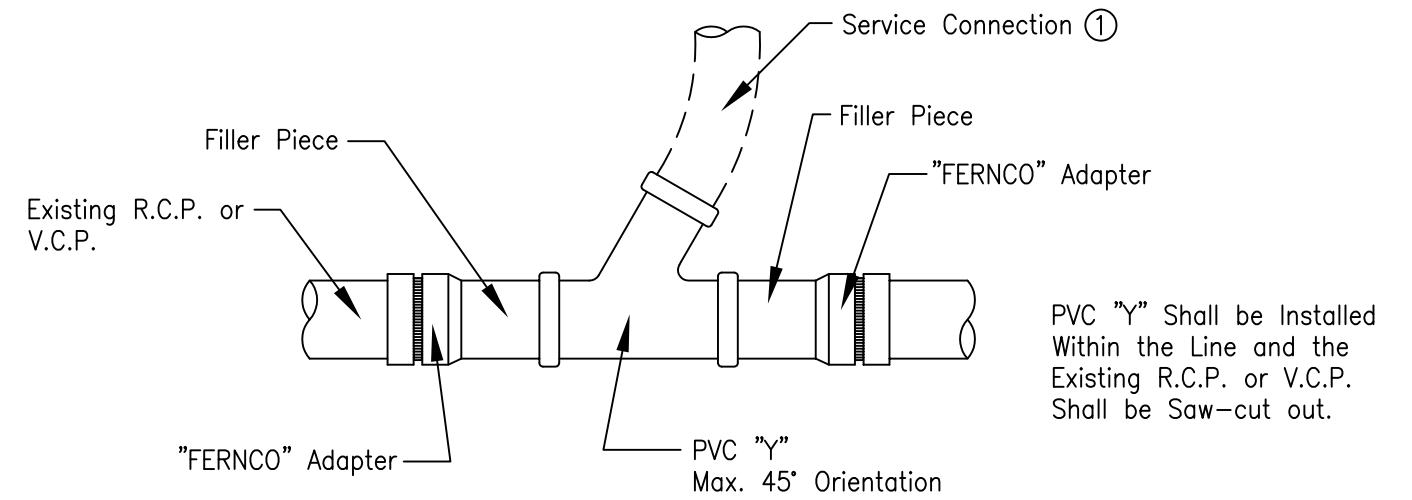
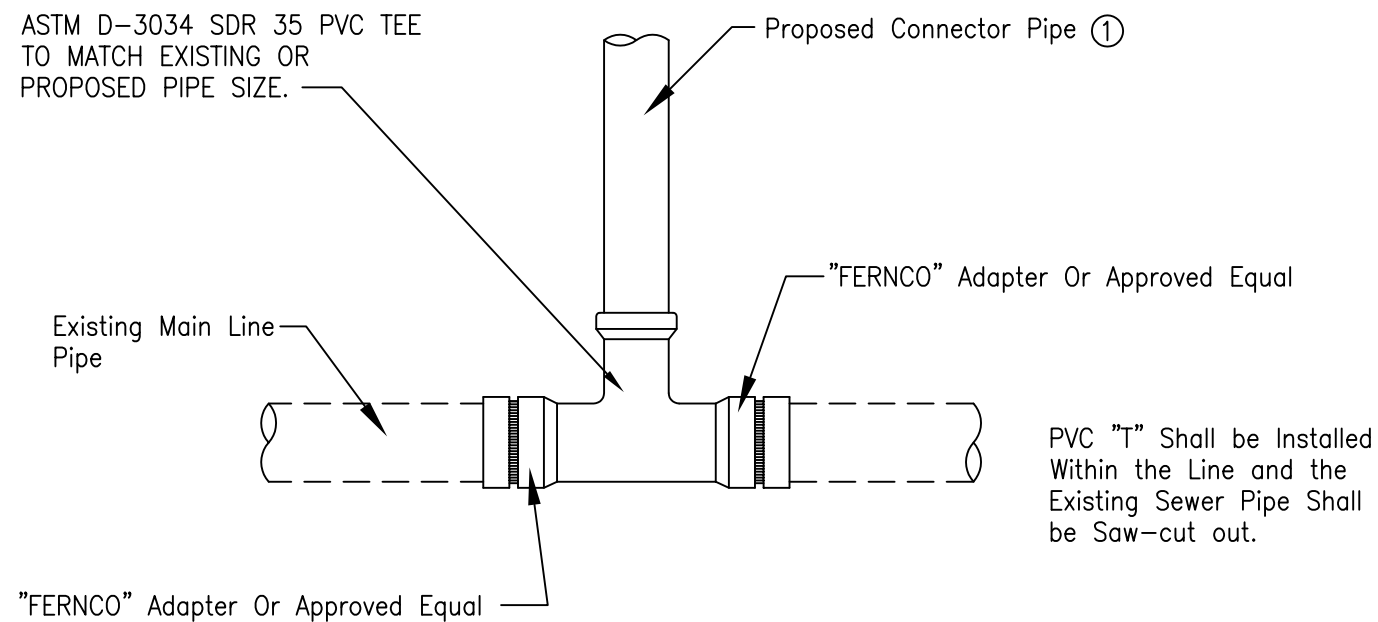


X:\dhylkema\Land Projects R2\Const Details\dwg\2004 City\007_DTL2004.dwg 3/25/2008

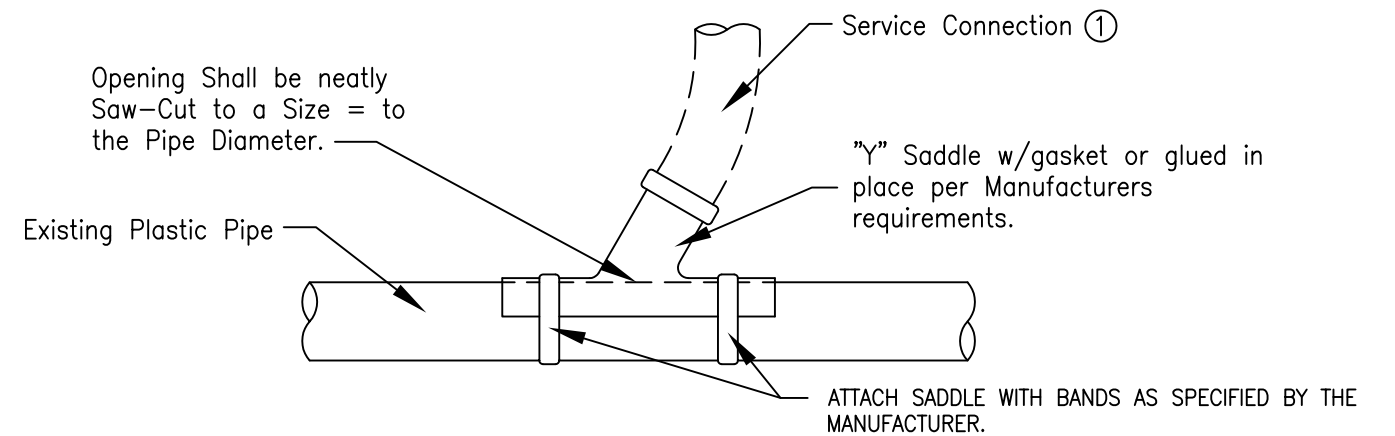


DETAIL FOR R.C.P. & V.C.P.



SEWER TEE CONNECTION

WHERE THE INSTALLATION OF A CONNECTION TO AN EXISTING SEWER WILL NOT PERMIT THE USE OF A KOR-N-TEE.



DETAIL FOR PLASTIC PIPE

NOTE:

- ① Use Detail on Page 6 for Extension of Service Connections.

Detail for Kor-N-Tee

See Typical Detail on Sheet 6. Use of Kor-N-Tee may be authorized by the Director of Engineering.

REV No.	DATE	BY	DESCRIPTION
CITY OF WESTLAKE, OHIO DEPARTMENT OF ENGINEERING			
DETAIL PIPE TAPPING			
SCALE: AS NOTED			7
DATE:		DRWN BY:	