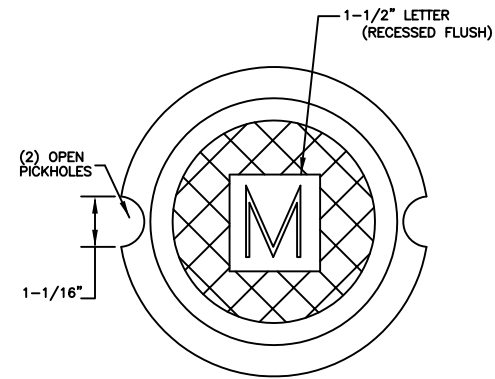
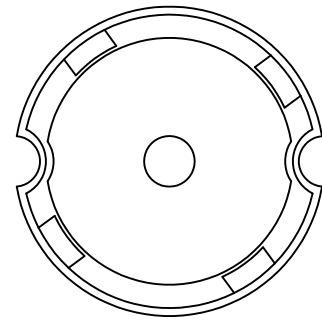


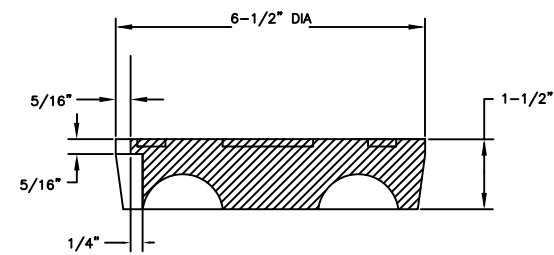
# MONUMENT BOX



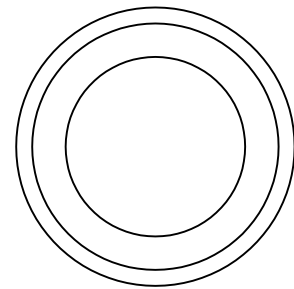
PLAN OF COVER



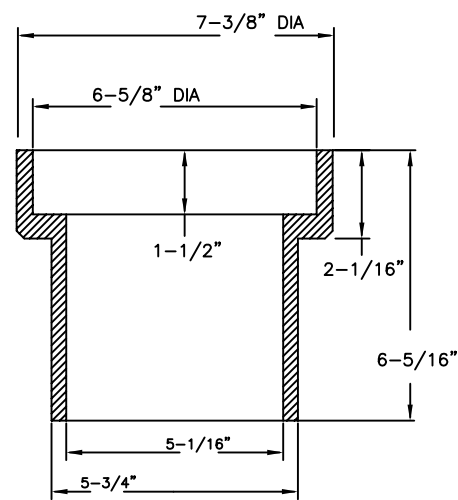
BOTTOM VIEW



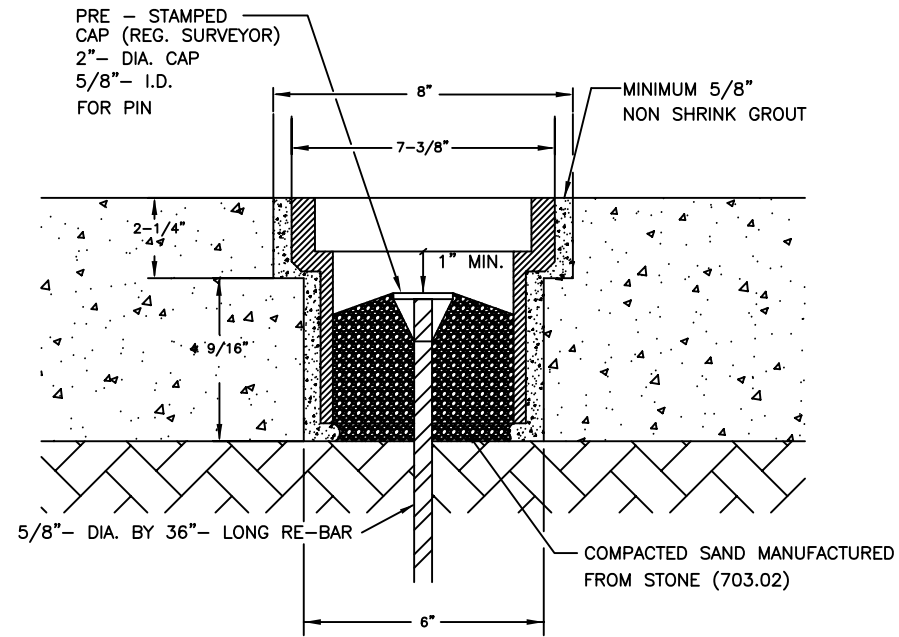
SIDE VIEW OF COVER



PLAN OF FRAME



FRAME SECTION



MONUMENT BOX DETAIL

(NOT USABLE IN LANDSCAPE ISLANDS)

NOTES:

MONUMENT BOX CASTING TO BE EJIW #2960.  
ANNULAR SPACE BETWEEN CASTING AND PAVEMENT TO BE FILLED WITH NON-SHRINK GROUT PER O.D.O.T. 705.20

INSTALLATION:

1. CORE BOTH OPENINGS IN PAVEMENT
2. REMOVE DEBRIS AND PREPARE CONCRETE FOR GROUT PER MANUFACTURE SPECIFICATIONS.
3. COAT PAVEMENT OPENING AND EXTERIOR OF CASTING WITH GROUT.
4. INSTALL CASTING AND FINISH FLUSH WITH PAVEMENT.

NOTES

CASTINGS

SHALL MINIMALLY MEET THE REQUIREMENTS OF 604.02 - 711.12, A.S.T.M. A48, CLASS 35 GRAY IRON.

THE ASSEMBLY SHALL BE ESSENTIALLY THE SAME AND EQUALLY AS STRONG AS THOSE SHOWN HEREON.

TOTAL MINIMUM WEIGHT = 22 LBS.

PROVIDED THEY COMPLY WITH THE SPECIFICATIONS, DETAILS, DIMENSIONS AND MINIMUM WEIGHT,

EAST JORDAN - 2960 MONUMENT BOX FRAME & COVER OR APPROVED EQUAL CASTINGS ARE ACCEPTABLE.

LEGEND:

CONCRETE, CLASS "C" (499)

COMPACTED SAND MANUFACTURED FROM STONE (703.02)

UNDISTURBED EARTH OR AGGREGATE BASE. REPLACEMENT OF UNSUITABLE MATERIAL PER 604.04 AND TO THE SATISFACTION OF THE ENGINEER.

REV No.	DATE	BY	DESCRIPTION
CITY OF WESTLAKE, OHIO DEPARTMENT OF ENGINEERING			
ROADWAY MONUMENT BOX			
SCALE:	AS NOTED		12a
DATE:	DRWN BY:		