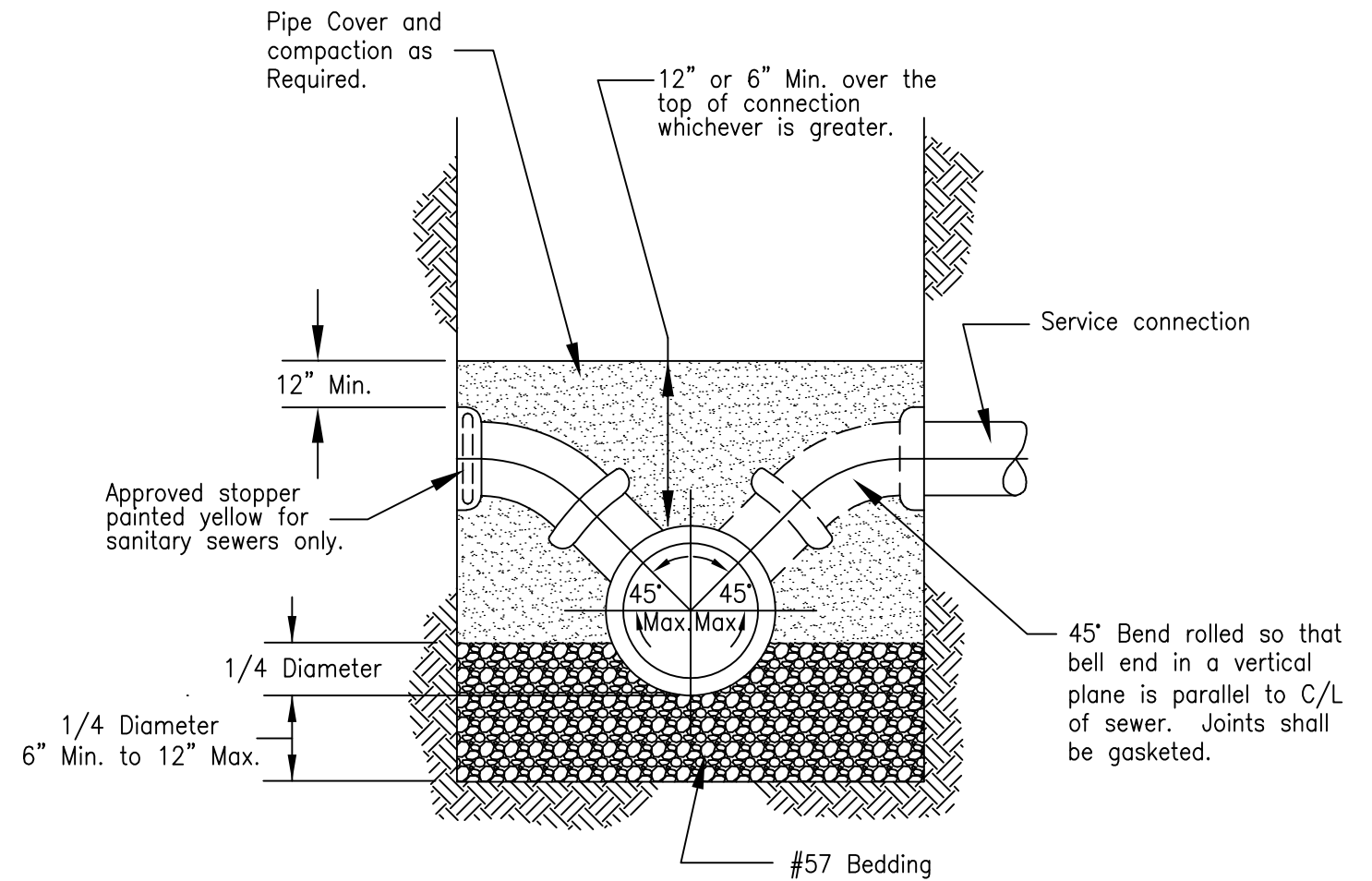


TYPICAL CORE AND TEE DETAIL

All PVC pipe shall be ASTM 3034 SDR 23.5



TYPICAL Y-BRANCH DETAIL

1	2/17/04	DAH	General Revisions - Re-issue
REV No.	DATE	BY	DESCRIPTION
CITY OF WESTLAKE, OHIO DEPARTMENT OF ENGINEERING			
DETAILS SLANT & Y-BRANCH			
SCALE: AS NOTED			
DATE:		DRWN BY:	