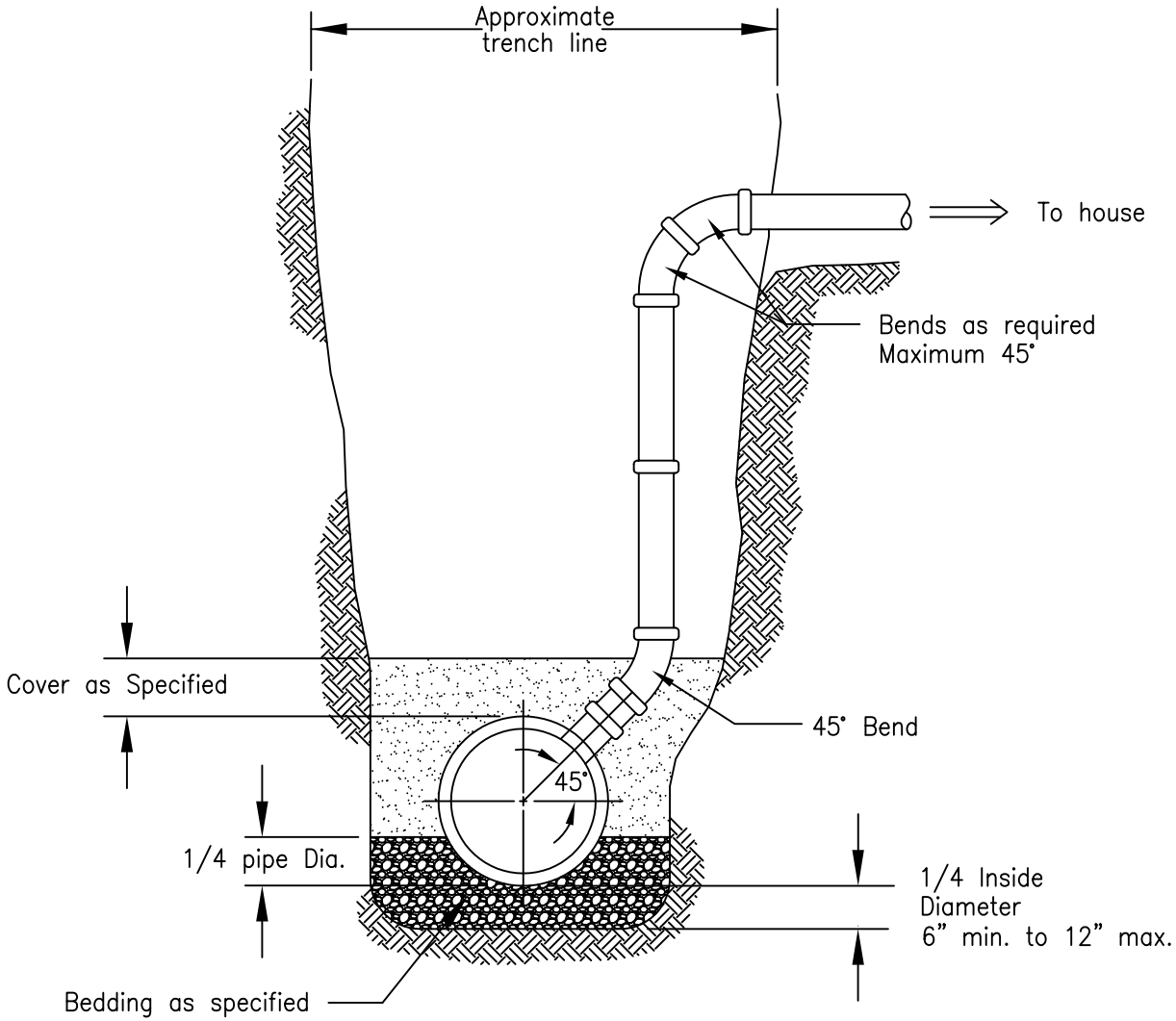


The pipe shall be plugged with approved stopper. Stopper shall be painted yellow for the sanitary sewer connection.



Note:

Bedding and Backfill shall meet the requirements of the City Standard Construction Drawing Sheet 5.

When using PVC for construction, all portions of the riser shall be ASTM 3034 SDR 23.5 unless otherwise directed by the Engineer.

See Detail Sheet 4b & 6 for connections made to existing sewers.

1	2/17/04	DAH	General Revisions - New Detail
REV No.	DATE	BY	DESCRIPTION
CITY OF WESTLAKE, OHIO DEPARTMENT OF ENGINEERING			
STANDARD RISER DETAIL			
SCALE:	AS NOTED		
DATE:		DRWN BY:	4b