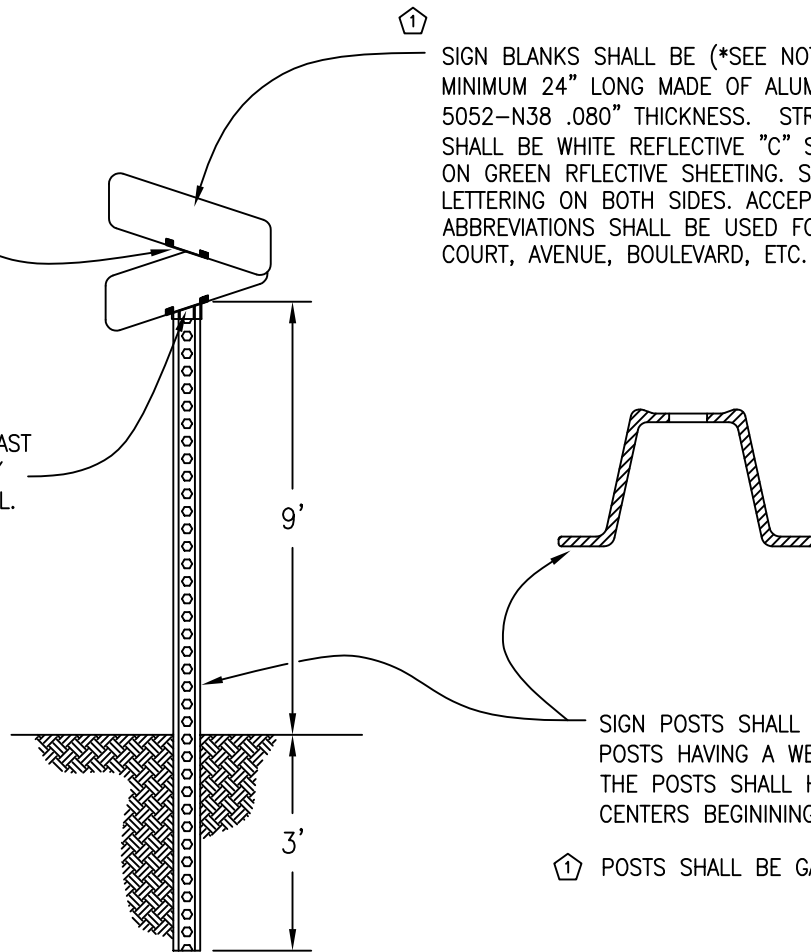


CROSS BRACKETS FOR INTERSECTIONS SHALL BE CAST ALUMINUM SERVICE SUPPLY ROK - PRUF #3.90 OR EQUAL.

CAP BRACKET SHALL BE CAST ALUMINUM SERVICE SUPPLY ROX - PRUF #1 OR EQUAL.

SIGN BLANKS SHALL BE (\*SEE NOTE BELOW\*) A MINIMUM 24" LONG MADE OF ALUMINUM ALLOY 5052-N38 .080" THICKNESS. STREET NAMES SHALL BE WHITE REFLECTIVE "C" SERIES LETTERS ON GREEN REFLECTIVE SHEETING. SIGNS SHALL HAVE LETTERING ON BOTH SIDES. ACCEPTED ABBREVIATIONS SHALL BE USED FOR STREET, LANE, COURT, AVENUE, BOULEVARD, ETC.



① POSTS SHALL BE GALVANIZED.

① SIGN NOTE:

SPEED LIMIT  
OVER 25 MPH

9" x 24" MIN. SIGN (REFLECTIVE GREEN)  
6" "C" SERIES HIGHWAY LETTERS  
(REFLECTIVE WHITE)

SPEED LIMIT  
25 MPH OR LESS

6" x 24" MIN. SIGN (REFLECTIVE GREEN)  
4" "C" SERIES HIGHWAY LETTERS  
(REFLECTIVE WHITE)

REV No.	DATE	BY	DESCRIPTION
①	9/20/06	DAH	SIZE & MATERIAL REVISIONS
CITY OF WESTLAKE, OHIO DEPARTMENT OF ENGINEERING			
STANDARD STREET SIGN DETAIL			
SCALE: NONE		30b	
DATE:			