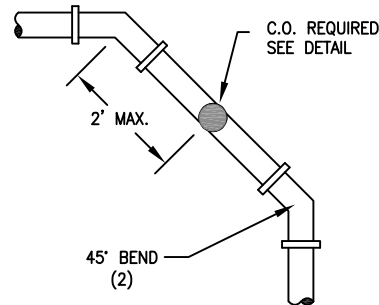


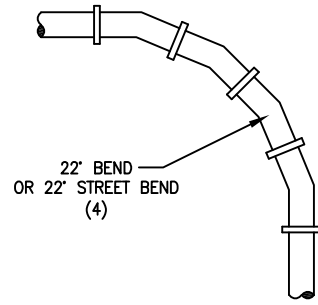
- NOTES:**
- "TEST TEE" SHALL BE BE INSTALLED, ADJUSTED OR RECONSTRUCTED TO GRADE AT SUCH LOCATIONS AS DETERMINED BY THE ENGINEER IN THE FIELD.

TEST TEE

6" X 6" TEST TEE & 6" RISER FOR LATERAL CONNECTIONS TO STORM & SANITARY

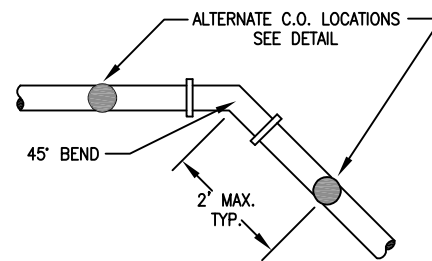


(OPTION #1)

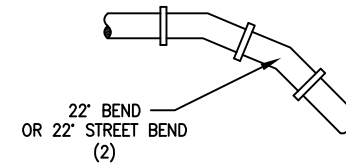


(OPTION #2)

90° BEND

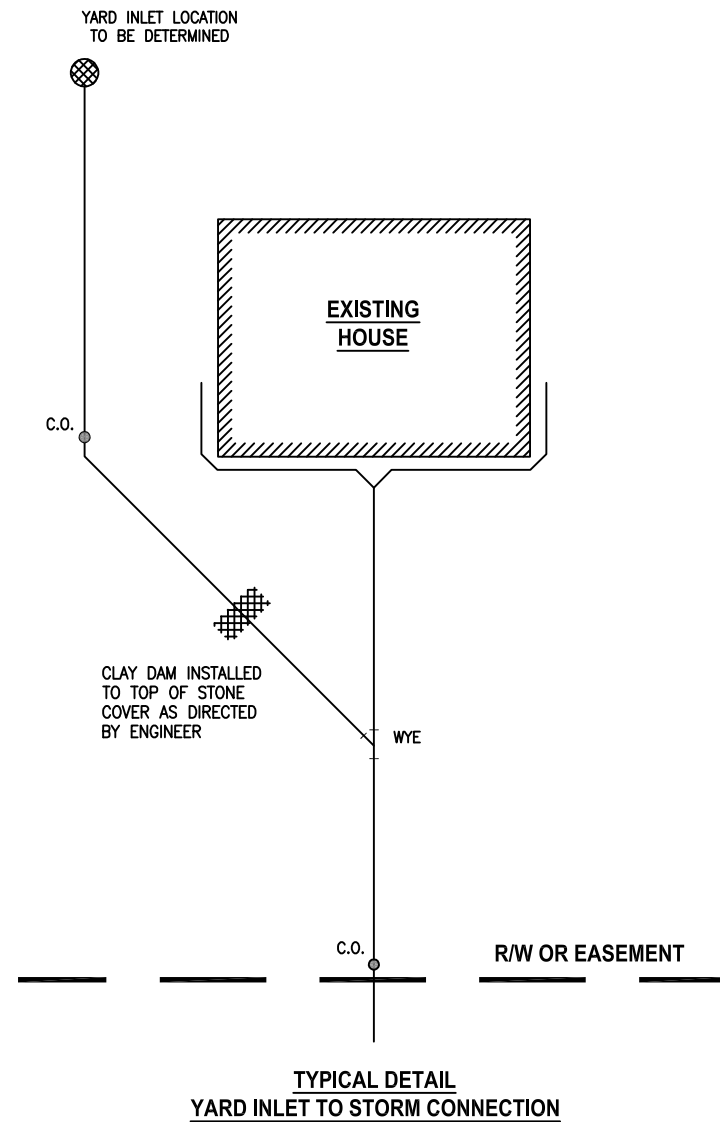


(OPTION #1)



(OPTION #2)

45° BEND



**TYPICAL DETAIL
YARD INLET TO STORM CONNECTION**

GENERAL NOTES:

- ALL PIPE SHALL BE POLYVINYL CHLORIDE (PVC) SDR 35 ASTM D-3034, UNLESS OTHERWISE DIRECTED.
- ALL BENDS OF 30' OR MORE WILL REQUIRE A CLEANOUT WITHIN (2') TWO FEET OF THE FITTING.
- PIPE BEDDING AND COVER SHALL BE AS PER THE CITY STANDARD FOR TYPICAL TRENCH DETAILS, SHEET #5.
- A CLEANOUT IS REQUIRED FOR ALL STORM AND SANITARY SEWER CONNECTIONS AT THE R/W OR THE UTILITY EASEMENT.
- FOR ALL CONNECTIONS LONGER THAN 100' A CLEANOUT WILL BE REQUIRED AT EVERY 100' FOOT INCREMENT.
- PREMIUM JOINTS SHALL BE SOLVENT-WELD IN ACCORDANCE WITH ASTM D2846 OR GASKET JOINTS IN ACCORDANCE WITH ASTM D3212.
- THE CONTRACTOR SHALL DEWATER THE TRENCH BY PUMP AND SHALL NOT DRAIN GROUND WATER INTO ANY SANITARY SEWER. DISCHARGE INTO STORM SEWER WILL BE PERMITTED ONLY IF METHOD OF DISCHARGE IS APPROVED AND OBSERVED BY THE CITY OF WESTLAKE REPRESENTATIVE.

SEPTIC CONVERSIONS:

- A CLEANOUT IS REQUIRED AT THE FACE OF THE EXISTING STRUCTURE WHERE THE NEW CONNECTION IS ATTACHED TO THE OLD DISCHARGE LINE AND NO CLEANOUT IS ACCESSIBLE IN THE STRUCTURE.
- FERNCO ADAPTERS ARE TO BE USED FOR ALL CONNECTIONS BETWEEN NEW AND OLD PIPE CONSTRUCTION.
- SEPTIC TANK SHALL BE REMOVED OR CRUSHED IN PLACE IN ACCORDANCE WITH THE CUYAHOGA COUNTY HEALTH DEPARTMENT REQUIREMENTS.
- NEW PIPE ALIGNMENT WILL NOT BE PERMITTED TO CROSS OVER THE ABANDONED SEPTIC TANK FOOTPRINT.
- ALL DISCHARGE LINES FROM THE ABANDONED SEPTIC SYSTEMS ARE TO INCLUDE A CLEANOUT AS DIRECTED BY THE ENGINEER.

1	6/21/04	DAH	General Revisions - Re-Issue
REV No.	DATE	BY	DESCRIPTION
CITY OF WESTLAKE, OHIO DEPARTMENT OF ENGINEERING			
TYPICAL 6" STORM & SANITARY CONSTRUCTION DETAILS			
SCALE: AS NOTED			
DATE:		DRWN BY:	