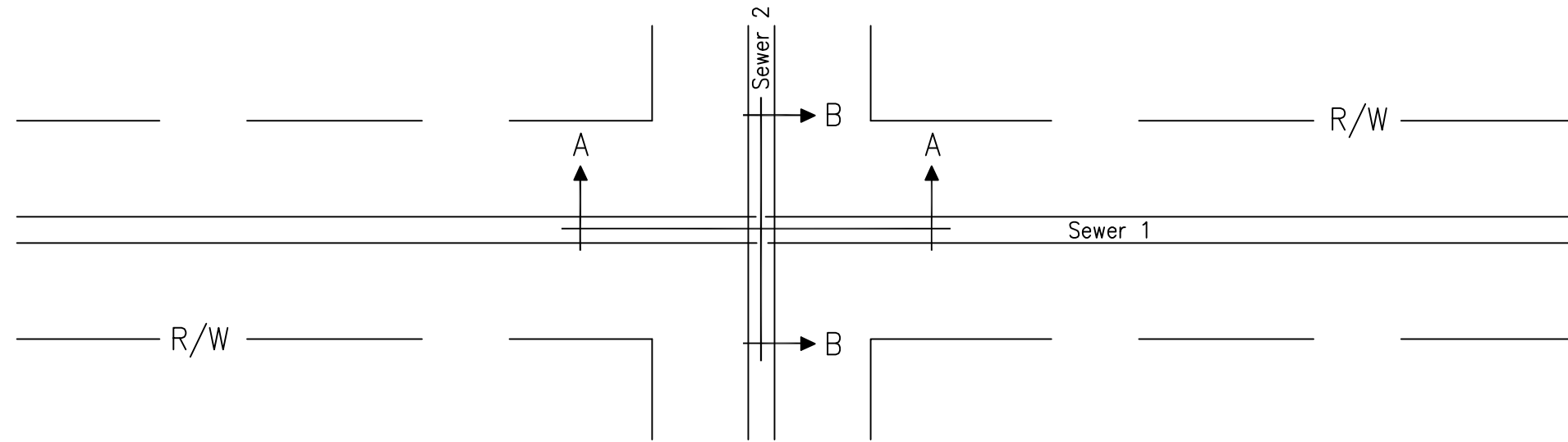
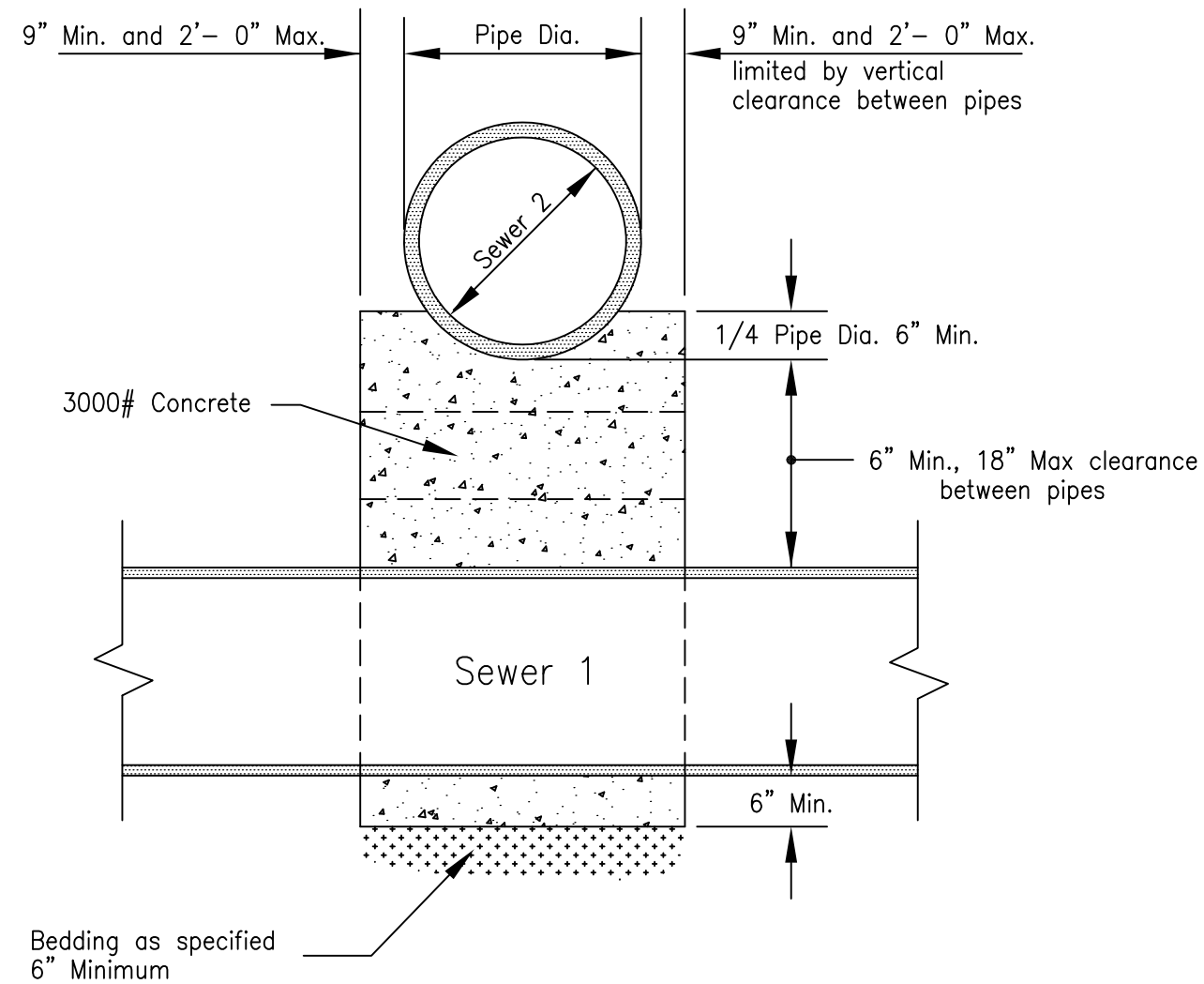


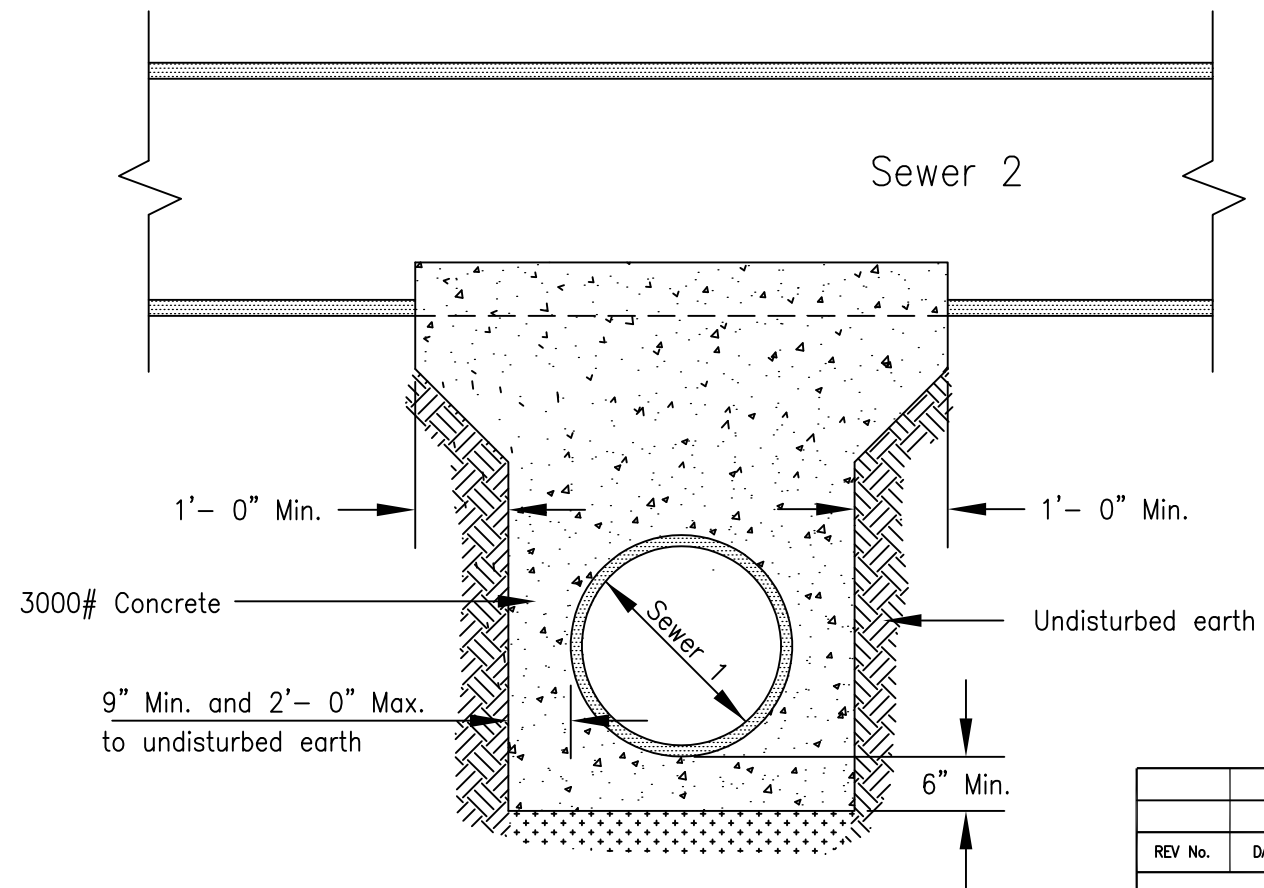
Note:
Encasement required when pipe clearance is less than 18"



PLAN VIEW



SECTION A - A



SECTION B - B

REV No.	DATE	BY	DESCRIPTION
CITY OF WESTLAKE, OHIO DEPARTMENT OF ENGINEERING			
CONCRETE ENCASEMENT TRENCH CROSSING			
SCALE: AS NOTED			10
DATE:		DRWN BY:	