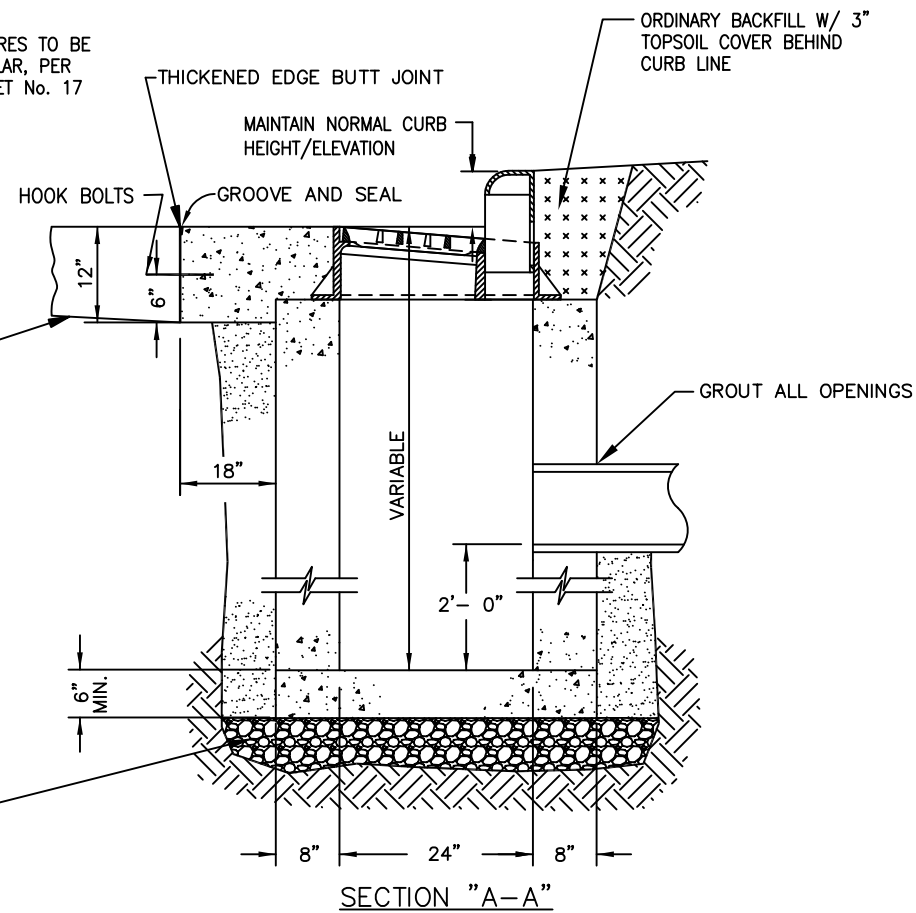


NOTE:
ALL ADJUSTMENTS OF STRUCTURES TO BE BY USE OF A CONCRETE COLLAR, PER CITY STD. CONST. DETAIL SHEET No. 17



NOTES:

CASTINGS SHALL MINIMALLY MEET THE REQUIREMENTS OF 604-711.12, A.S.T.M. A 48, CLASS 35 GRAY IRON OR 711.13 DUCTILE IRON. AFTER ACCEPTANCE, EXPOSED PARTS OF CURB CASTING TO BE THOROUGHLY CLEANED AND GIVEN ONE COAT OF ASPHALT VARNISH OR COAL TAR PITCH PAINT, AT THE SITE.

- MINIMUM FRAME WEIGHT = 340 LBS.
- MINIMUM GRATE WEIGHT = 135 LBS.
- MINIMUM CURB CASTING WEIGHT = 110 LBS.
- TOTAL MINIMUM ASSEMBLY WEIGHT = 585 LBS.

SUBJECT TO THE ABOVE, THE FOLLOWING OR APPROVED EQUAL CASTINGS ARE ACCEPTED:

- NEENAH No. R-3246-CL
- EAST JORDON No. 7035 WITH M6 GRATE

BEARING AREAS OF FRAME AND GRATE SHALL BE SO FITTED AND FINISHED AS TO PROVIDE A FIRM AND EVEN SEAT FOR ALL PORTIONS OF THE GRATE IN THE FRAME. NO PROJECTIONS SHALL EXIST ON BEARING AREAS OF EITHER CASTING AND THE GRATE SHALL SEAT IN ITS FRAME WITHOUT ROCKING. EACH FRAME AND GRATE SHALL BE FITTED, MATCHED AND MARKED BEFORE DELIVERY TO THE PROJECT.

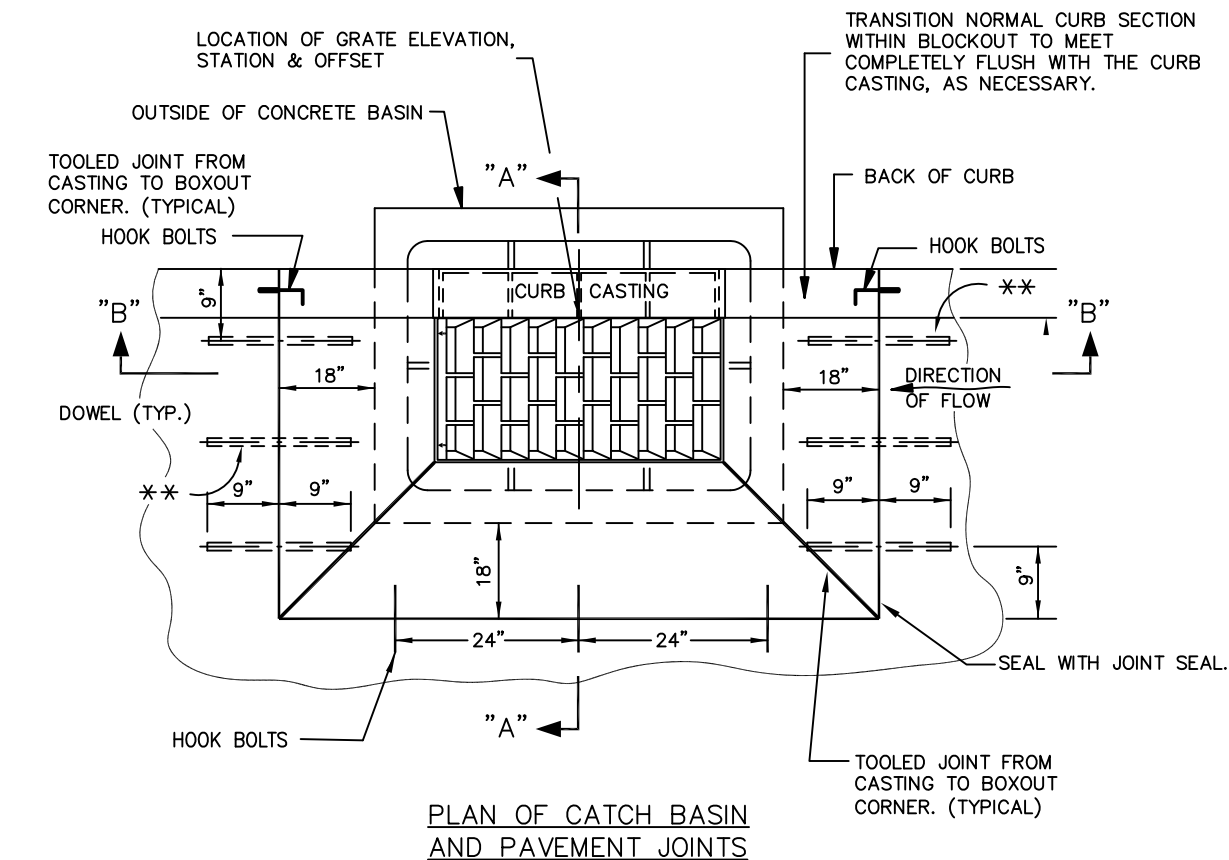
DOWELS: SIX (6) 1"x18" DOWELS ARE REQUIRED FOR CONCRETE PAVEMENT OR GUTTER BLOCKOUT.

PRECAST CONSTRUCTION IS PERMITTED, (EXCEPT FOR THE BLOCKOUT PAVEMENT) AND CONCRETE SHALL MEET THE REQUIREMENTS OF 706.13 WITH 6± 2% AIR VOID CONTENT IN THE HARDENED CONCRETE. PRECAST WALLS SHALL HAVE A MINIMUM THICKNESS OF 6" AND REINFORCING SHALL BE SUFFICIENT TO PERMIT SHIPPING AND REPLACEMENT WITHOUT DAMAGE.

BLOCKOUT: WHERE ONE SIDE OF THE BLOCKOUT IS LOCATED AT A TRANSVERSE PAVEMENT JOINT THE TRANSVERSE PAVEMENT JOINT SHALL BE THICKENED AND CONTINUED IN KIND WITHIN THE LIMITS OF THE BLOCKOUT. EXCEPT AS DESCRIBED ABOVE, BLOCKOUTS SHALL BE LOCATED NO CLOSER THAN 5.0' FROM THE TRANSVERSE PAVEMENT JOINT. WHERE THE SPECIFIED CATCH BASIN WORK REQUIRES THE CONSTRUCTION/RECONSTRUCTION OF BLOCKOUTS IN EXISTING PAVEMENT, THE BLOCKOUTS SHALL CONFORM, AS CLOSELY AS POSSIBLE, TO THE DETAILS SHOWN HEREON EXCEPT THAT THE DOWELS SHALL BE PLACED/REPLACED IN ACCORDANCE WITH THE "SECTION-TYPE X" JOINT, PER O.D.O.T. CONSTRUCTION DRAWING BP-2.5C. (SECTION-TYPE Y" JOINT WHERE BLOCKOUT JOINT IS AT A EXISTING CONTRACTION OR HINGE JOINT LOCATION.)

A CLASS "C" CONCRETE APRON, THE SIZE OF THE 2.0' GUTTER BLOCKOUT, SHALL BE CAST IN PLACE IN FLEXIBLE PAVEMENT AND NO DOWELS ARE REQUIRED.

THIS CATCH BASIN IS NOT INTENDED FOR USE WITH MOUNTABLE TYPE CURBS NOR SHOULD IT BE LOCATED WITHIN A DRIVE APRON. SEE CITY OF WESTLAKE STANDARD CONSTRUCTION DRAWING No. 20).



****Note:****

RESIDENTIAL PAVEMENT T = 7" (1"x 18" Long Dia. Dowel)

INDUSTRIAL PAVEMENT T = 9" (1¼"x 18" Long Dia. Dowel)

NOTES:

BACKFILL FOR ALL STRUCTURES WITHIN THE LIMITS OF THE PAVEMENT SHALL BE LOW STRENGTH MORTAR BACKFILL, TYPE 2 PER CURRENT O.D.O.T. CONSTRUCTION AND MATERIAL SPECIFICATIONS, EXCEPT AS MODIFIED HEREIN.

THE USE OF FOUNDRY SAND IS STRICTLY PROHIBITED.

THE CONTRACTOR IS REQUIRED TO SUBMIT A MIX DESIGN, FOR CITY APPROVAL, A MINIMUM OF 48 HOURS PRIOR TO THE INSTALLATION OF THE BACKFILL.

CURB DRAINS INSTALLED SHALL BE STUBBED OUT 1' PAST THE LIMITS OF EXCAVATION WITH SOLID PIPE.

PRECAST CATCH BASIN:

A PRECAST CONCRETE CHAMBER SHALL BE USED. THE WALL THICKNESS SHALL BE A MINIMUM OF 6". REINFORCING STEEL SHALL BE USED IN ALL CASES. No. 3 BARS SHALL BE USED WHERE THE WALL HEIGHT FROM THE TOP OF THE WALL TO BOTTOM OF SLAB IS 3.0' OR LESS AND No. 4 BARS SHALL BE USED WHEN THE WALL HEIGHT EXCEEDS 3.0'. SHOP DRAWINGS SHALL BE REQUIRED IF PRECAST CONCRETE STRUCTURE IS USED.

REV No.	DATE	BY	DESCRIPTION
5	1/22/19	MAC	General Revisions (Re-Issue)
4	9/13	DAH	Adjust to Grade Revision (Re-Issue)
3	6/13	DAH	Removed Expansion & Caps (Re-Issue)
2	8/12	DAH	General Revisions (Re-Issue)
1	2/27/04	DAH	General Revisions (Re-Issue)

CITY OF WESTLAKE, OHIO
DEPARTMENT OF ENGINEERING

CATCH BASIN W/SUMP
BARRIER CURB

SCALE:	AS NOTED	22
DATE:	DRWN BY:	