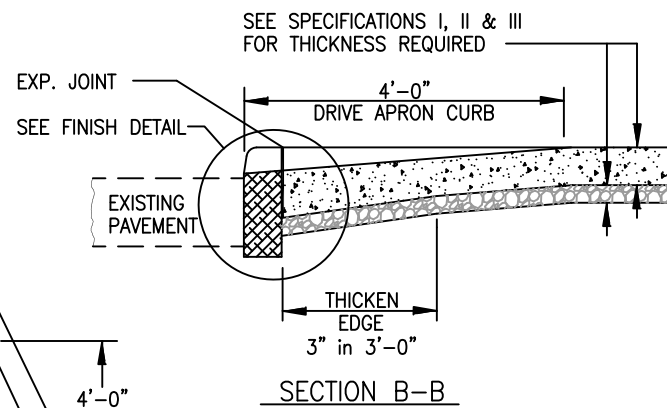
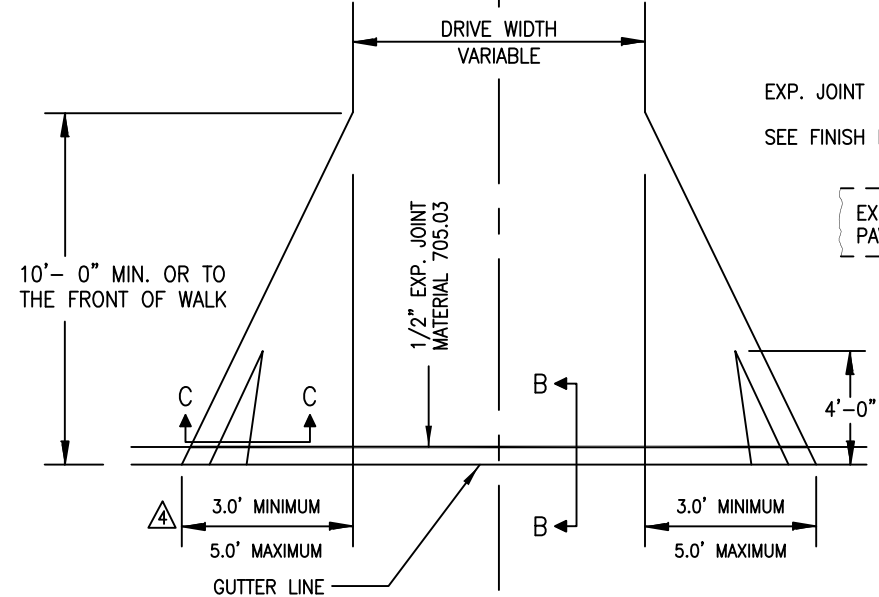
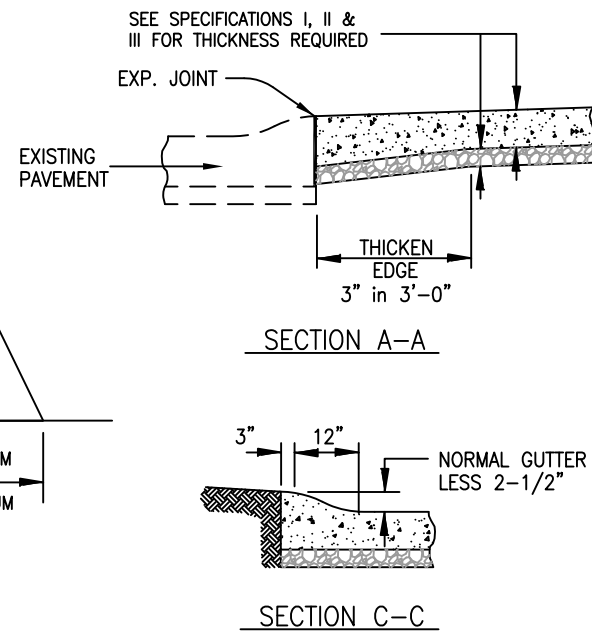
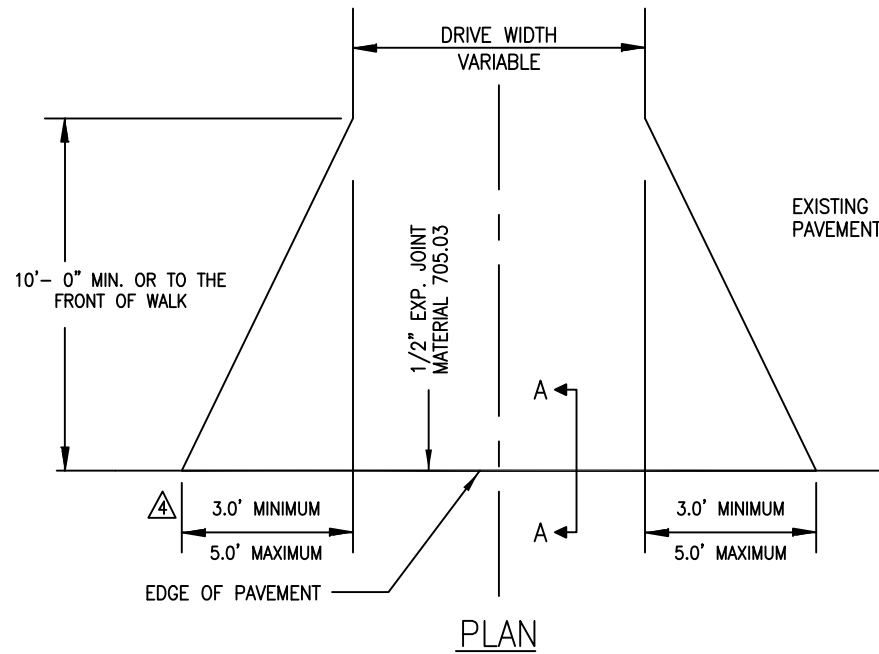


## CONCRETE APRON



Where curbing exists Contractor shall sawcut and remove existing curbing to 1" above existing gutter elevation, As directed by the Engineer.

### NOTES

DRIVE APRON CURB SECTION TO BE PLACED WHERE DIRECTED BY THE ENGINEER.

FORM DRIVE APRON, SECTION "C-C" BEHIND CURB LINE AND TAPER OUT UNIFORMLY TO NO CURB 4'-0" BEHIND GUTTER LINE AS SHOWN.

WHERE DRIVE ABUTS NEW OR EXISTING CONCRETE SIDEWALK 1/2" EXPANSION JOINT MATERIAL 705.03 SHALL BE PROVIDED.

THICKENED EDGE REQUIRED FOR ALL CONCRETE APRONS.

CONCRETE = CLASS "C" WITH 6"x 6"- #10-#10 GAUGE WIRE MESH. FIBER REINFORCEMENT MAY BE USED IN LIEU OF WIRE MESH IF APPROVED BY THE DIRECTOR OF ENGINEERING.

### CONCRETE SPECIFICATIONS

SEE SECTION "A-A" & "B-B" FOR THICKENED CONCRETE EDGE.

#### I RESIDENTIAL

6" REINFORCED PORTLAND CEMENT CONCRETE WITH 2" SCREENINGS OR AS SPECIFIED INSULATION COURSE.

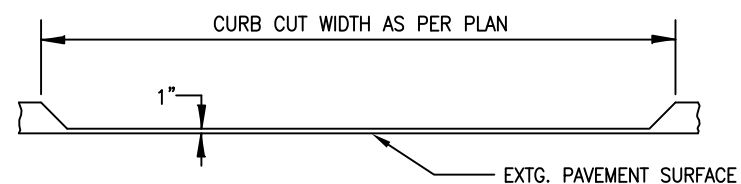
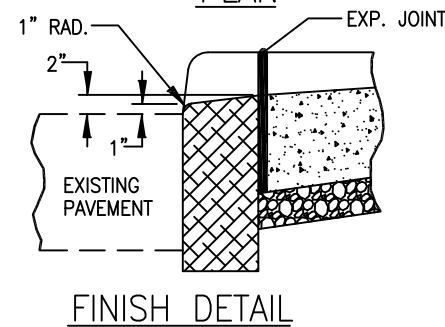
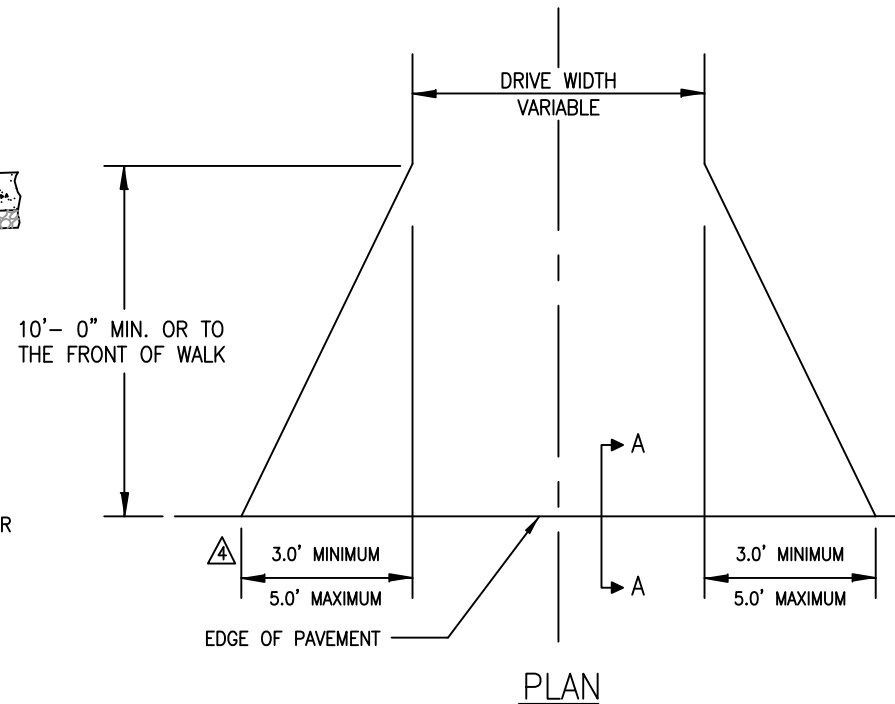
#### II COMMERCIAL

7" REINFORCED PORTLAND CEMENT CONCRETE WITH 3" SCREENINGS OR AS SPECIFIED INSULATION COURSE.

#### III INDUSTRIAL

8" REINFORCED PORTLAND CEMENT CONCRETE WITH 3" SCREENINGS OR AS SPECIFIED INSULATION COURSE.

## ASPHALT & AGGREGATE APRONS



### NOTES

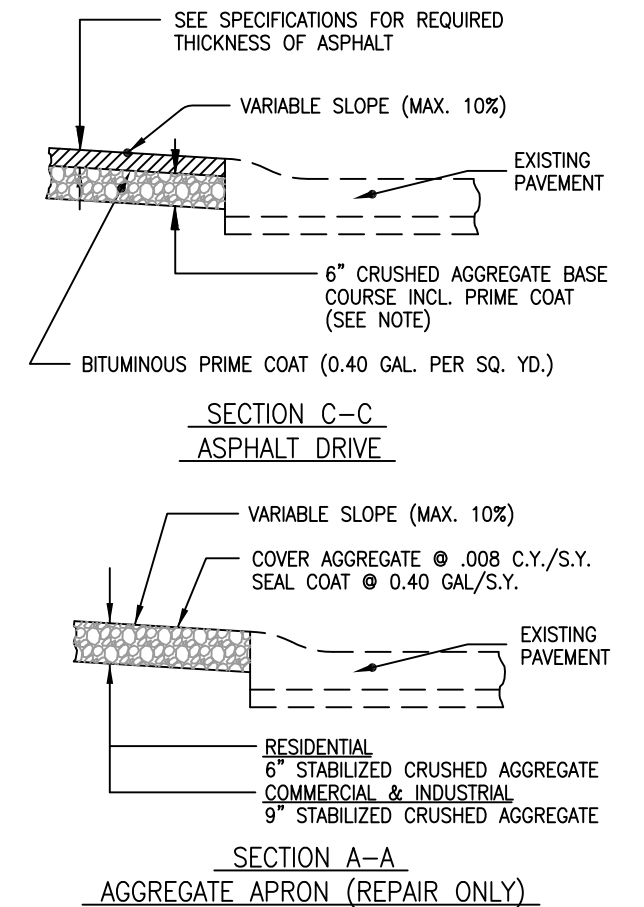
FOR ASPHALT AND AGGREGATE DRIVES, THE PLAN VIEW SHOWN, SHALL BE USED. SHAPE DRIVE TO PROVIDE FOR PROPER DRAINAGE.

GUTTERS & SIDEWALK JOINTS (IF PERTINENT) SHALL BE SEALED WITH ASPHALT CEMENT AS DIRECTED BY THE ENGINEER. THE MATERIAL SHALL BE APPLIED AT A UNIFORM WIDTH OF APPROXIMATELY FOUR INCHES (4") AND AT A RATE SUFFICIENT TO FILL ANY EXISTING JOINTS.

ALL BASE MATERIAL TO BE COMPACTED BY USE OF MECHANICAL TAMPER OR OTHER APPROVED COMPACTOR IN LAYERS NOT TO EXCEED THREE INCHES (3").

THE MAXIMUM COMPACTED DEPTH OF ANY ONE LAYER OF ASPHALT CONCRETE SHALL NOT EXCEED THREE INCHES (3").

FOR MATERIAL & CONSTRUCTION SPECIFICATIONS REFER TO STATE OF OHIO DEPARTMENT OF TRANSPORTATION SPECIFICATIONS SECTION 400 FLEXIBLE PAVEMENT.



### ASPHALT SPECIFICATIONS

#### RESIDENTIAL

3" ASPHALT CONCRETE WEARING COURSE

#### COMMERCIAL

5" ASPHALT CONCRETE WEARING COURSE

#### INDUSTRIAL

6" ASPHALT CONCRETE WEARING COURSE

REV No.	DATE	BY	DESCRIPTION
4	1/22/19	MAC	Drive Apron (Re-Issue)
3	1/13	DAH	Finish Detail (Re-Issued)
2	9/12	DAH	General Revisions (Re-Issued)
1	6/9/04	DAH	General Revisions (Re-Issued)

CITY OF WESTLAKE, OHIO  
DEPARTMENT OF ENGINEERING

## DRIVE APRON DETAILS

SCALE: AS NOTED

DATE: DRWN BY: