

Frame and cover as specified East Jordan No. 1715 or equal. Cover shall be labeled **STORM** or **SANITARY**.

4 Chimney Seal

Tar Strips between cone top, casting & grade rings.

Grade rings to be Pre Cast Concrete or PVC in non load bearing areas. **NO BRICK WILL BE PERMITTED.**

Eccentric cone top

Dam height 1/4th Diameter of pipe

Ductile Iron Pipe Tee Class #52  
Solid Sleeve Coupling with PVC Transition Gasket

1 Full Length of Ductile Iron Pipe

8" Min., 24" Max. 1/2 Diameter main sewer PVC - if section is precast DIP - if cast in place

90° elbow

Base slab  
6" #57 Limestone  
Factory Poured Invert

"O" Ring Joint, Con Seal or equal at all joints. ASTM C-443

4 External Joint Seal

Steps to be reinforced polypropylene plastic steps 12" wide.

12" Max.

8"

24" to 28" Dia.

8"

32" Min.

Lengths are multiples of step spacing

12" Min. 16" Max.

48" Dia. Min.

6" Min.

8" Min.

1/2" Min.

Opening + 6" Min.

9"

24" Max.

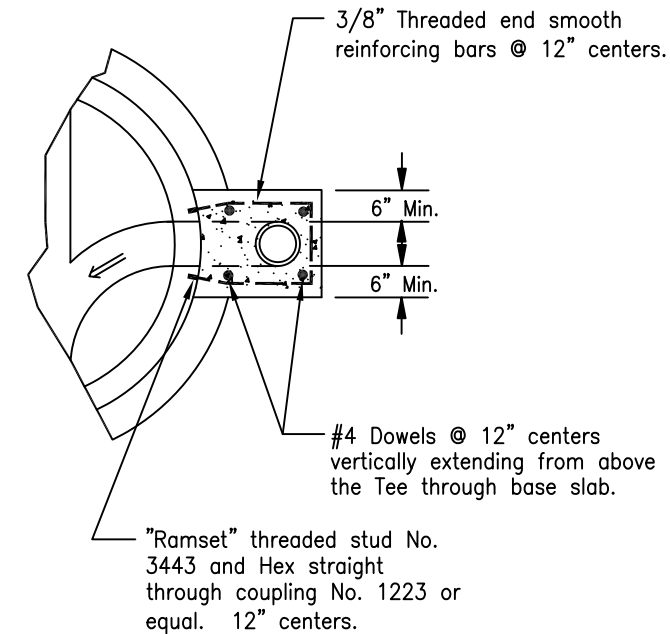
O.D. +2" Min. opening

1/2"/Ft.

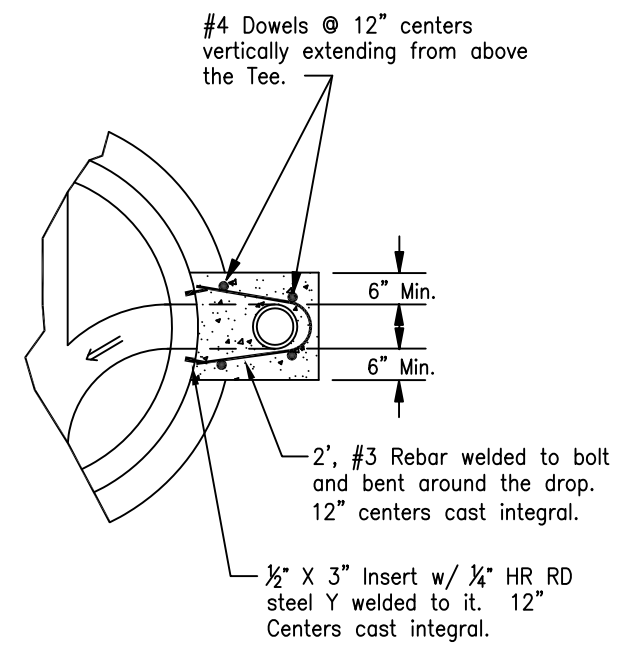
"t"

6" Min.

9"



CAST IN PLACE SECTION A - A



PRE-CAST SECTION A - A

**NOTES:**  
Backfill for all structures within the limits of the pavement shall be Low Strength Mortar Backfill, TYPE 2 per current O.D.O.T. Construction and Material Specifications, except as modified herein.

The use of Foundry Sand is strictly prohibited.

The contractor is required to submit a mix design, for City Approval, a minimum of 48 hours prior to the installation of the backfill.

**NOTES**

A drop manhole shall be constructed in sewers when the distance between the inverts is 24" or greater.

The following notes on the Precast Concrete Manholes shall pertain to the Drop Manhole: Top or Transition Openings in riser sections, Joint Seal, Materials and Landing Platforms.

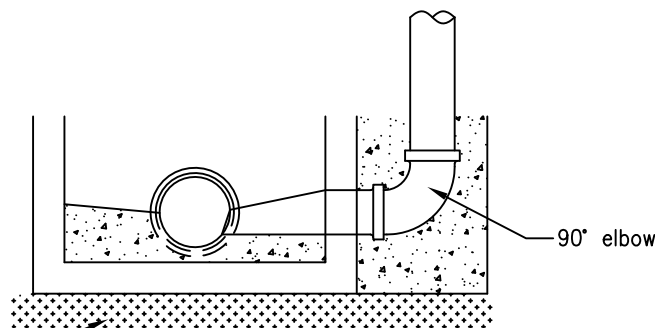
**ANCHORS** 1/2" dia. allthread with washers and hex nut (Min. 4).  
Lead anchor secured into the eccentric cone top.

**CASTING** for manholes shall be cleaned and panted in field with one coat of asphalt varnish or coal tar pitch paint.

4 **EXTERIOR JOINT AND CHIMNEY SEAL** to be "WRAPID SEAL" or approved equal system.

48" - 96" BASE FOR PRECAST

Base I.D.	Min "t"	Max. Pipe Size
48"	5"	30"
60"	5"	36"
72"	6"	48"
84"	7"	54"
90"	7-1/2"	60"
96"	8"	60"



ALTERNATE BASE SECTION

**Sanitary Manholes**

Manhole shall be waterproofed with coal tar epoxy coating from invert to 4' above invert.  
Castings in pavement shall be solid lid and gasketed.

**Manhole Testing**

All sanitary manholes shall be vacuum tested per ASTM C 1244.

REV No.	DATE	BY	DESCRIPTION
4	1/18/19	MAC	Chimney and External Joint Seal - Re-issue
3	9/13	DAH	Backfill Requirments - Re-issue
2	8/12	DAH	General Revisions - Re-issue
1	2/17/04	DAH	General Revisions - Re-issue

CITY OF WESTLAKE, OHIO DEPARTMENT OF ENGINEERING		
PRECAST CONCRETE DROP MANHOLE		
SCALE:	AS NOTED	2
DATE:	DRWN BY:	

X:\CodeDrawings\Const Details\Cad-2012\002