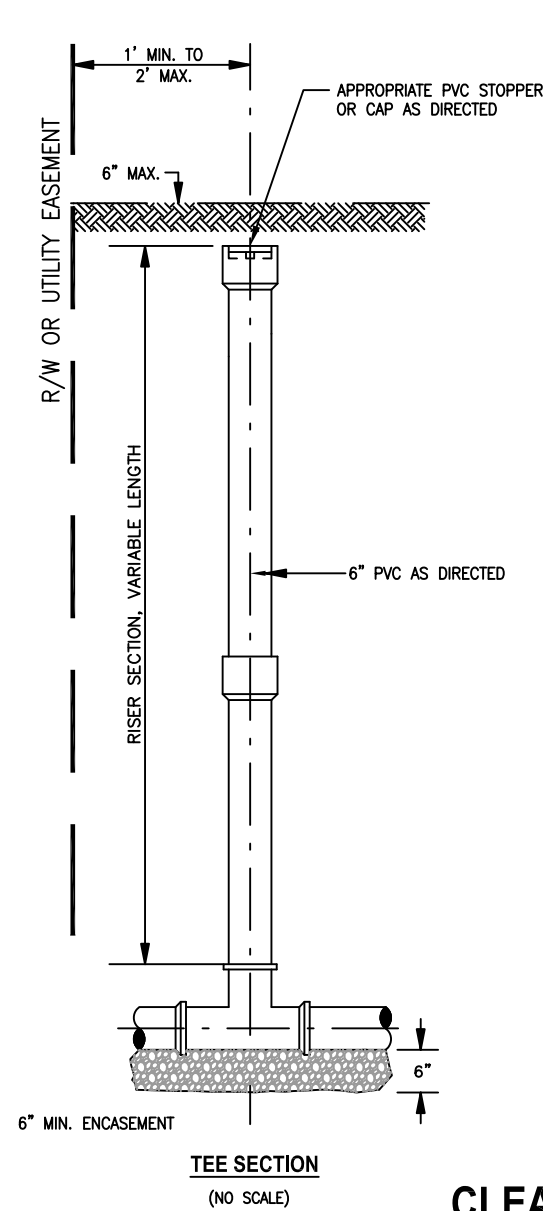
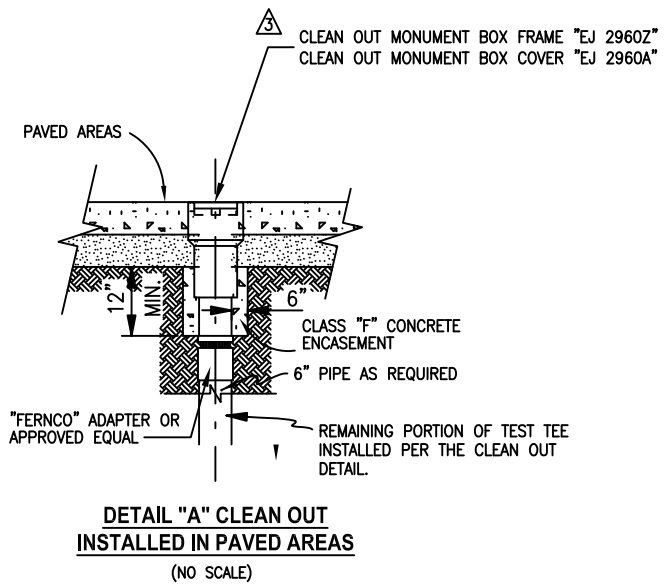


X:\Caddrawings\Const Details\Cad-2012\009

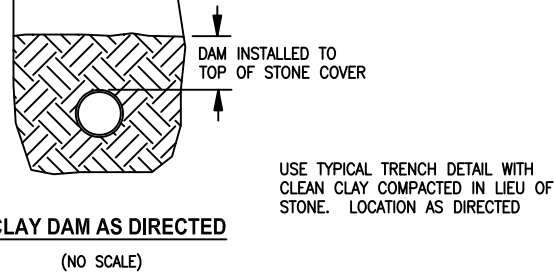


CLEAN OUT

6" X 6" TEE & 6" RISER FOR LATERAL CONNECTIONS TO STORM & SANITARY

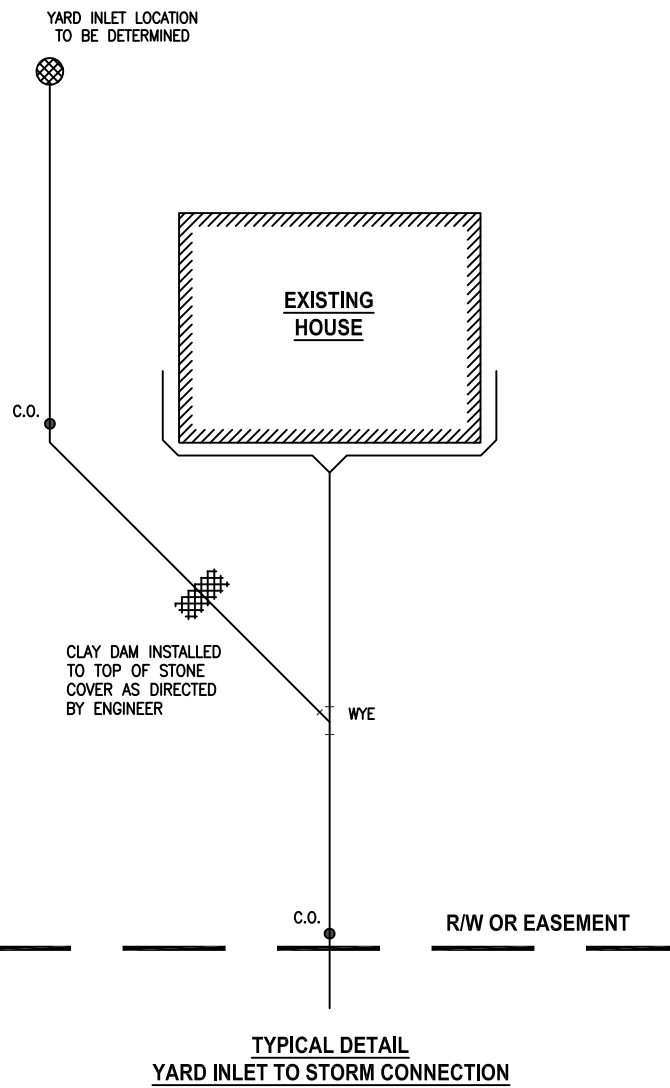


**DETAIL "A" CLEAN OUT
INSTALLED IN PAVED AREAS**
(NO SCALE)



CLAY DAM AS DIRECTED
(NO SCALE)

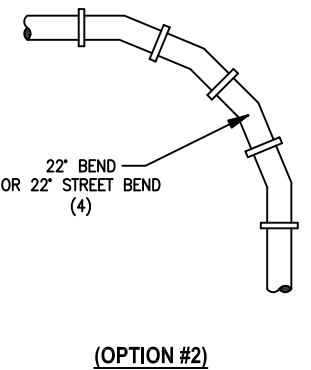
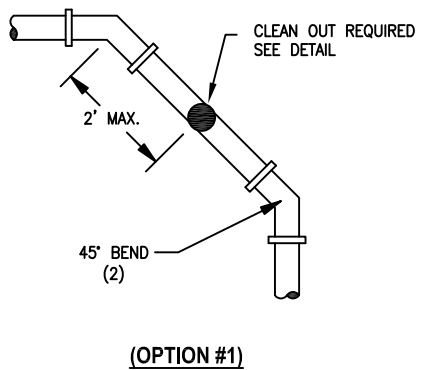
- NOTES:**
- 1) CLEAN OUT SHALL BE INSTALLED, ADJUSTED OR RECONSTRUCTED TO GRADE AT SUCH LOCATIONS AS DETERMINED BY THE ENGINEER IN THE FIELD.



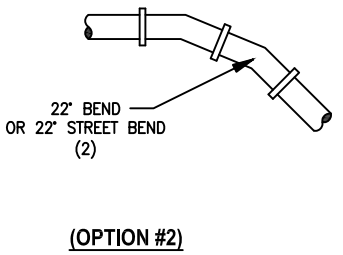
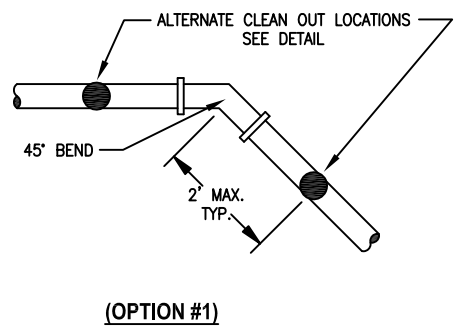
**TYPICAL DETAIL
YARD INLET TO STORM CONNECTION**

- GENERAL NOTES:**
- 1) ALL PIPE SHALL BE POLYVINYL CHLORIDE (PVC) SDR 35 ASTM D-3034, UNLESS OTHERWISE DIRECTED.
 - 2) ALL BENDS OF 30' OR MORE WILL REQUIRE A CLEAN OUT WITHIN (2') TWO FEET OF THE FITTING.
 - 3) PIPE BEDDING AND COVER SHALL BE AS PER THE CITY STANDARD FOR TYPICAL TRENCH DETAILS, SHEET 5.
 - 4) A CLEAN OUT IS REQUIRED FOR ALL STORM AND SANITARY SEWER CONNECTIONS AT THE R/W OR THE UTILITY EASEMENT.
 - 5) FOR ALL CONNECTIONS LONGER THAN 100' A CLEAN OUT WILL BE REQUIRED AT EVERY 100' INCREMENT.
 - 6) PREMIUM JOINTS SHALL BE GASKETED JOINTS IN ACCORDANCE WITH ASTM D3212.
 - 7) THE CONTRACTOR SHALL DEWATER THE TRENCH BY PUMP AND SHALL NOT DRAIN WATER INTO ANY SANITARY SEWER. DISCHARGE INTO STORM SEWER WILL BE PERMITTED ONLY IF METHOD OF DISCHARGE IS APPROVED AND OBSERVED BY THE CITY OF WESTLAKE REPRESENTATIVE.

- SEPTIC CONVERSIONS:**
- 1) A CLEAN OUT IS REQUIRED AT THE FACE OF THE EXISTING STRUCTURE WHERE THE NEW CONSTRUCTION IS ATTACHED TO THE OLD DISCHARGE LINE AND NO CLEAN OUT IS ACCESSIBLE IN THE STRUCTURE.
 - 2) "FERNCO" ADAPTERS ARE TO BE USED FOR ALL CONNECTIONS BETWEEN NEW AND OLD PIPE CONSTRUCTION.
 - 3) SEPTIC TANK SHALL BE REMOVED OR CRUSHED IN PLACE IN ACCORDANCE WITH THE CUYAHOGA COUNTY HEALTH DEPARTMENT REQUIREMENTS.
 - 4) NEW PIPE ALIGNMENT WILL NOT BE PERMITTED TO CROSS OVER THE ABANDONED SEPTIC TANK FOOTPRINT.
 - 5) ALL DISCHARGE LINES FROM THE ABANDONED SEPTIC SYSTEMS ARE TO INCLUDE A CLEAN OUT AS DIRECTED BY THE ENGINEER.



90° BEND



45° BEND

REV No.	DATE	BY	DESCRIPTION
3	1/18/19	MAC	General Revisions (Re-Issue)
2	8/12	DAH	General Revisions (Re-Issue)
1	6/21/04	DAH	General Revisions (Re-Issue)

CITY OF WESTLAKE, OHIO
DEPARTMENT OF ENGINEERING
**TYPICAL 6" STORM & SANITARY
CONSTRUCTION DETAILS**

SCALE:	AS NOTED	9
DATE:	DRWN BY:	